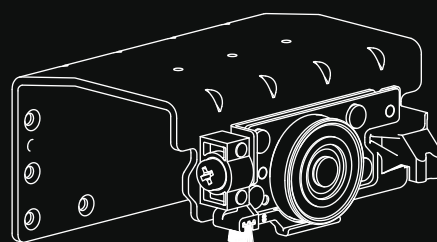




# Star

Adjustable sliding system of wardrobe doors  
Scorrevoli regolabili per armadi con ante sovrapposte





## Star

**Sliding adjustable system of wardrobe doors with veneered panels**

**Sistema di scorrevoli regolabili per armadi con ante sovrapposte**

**EN**

Sliding, adjustable system of wardrobe doors with veneered panels, equipped with damped air stops or traditional clamp closing

**IT**

Sistema di scorrevoli regolabili per armadi con ante sovrapposte, dotato di fermi ammortizzati ad aria o fermi tradizionali a pinza

**FR**

Système de rails coulissants réglables pour armoires avec vantaux parallèles, équipé d'amortisseurs de fin de course à air ou de fermetures traditionnelles à pinces

**DE**

Regulierbares Schiebetürsystem für Schränke mit überlappenden Türen, ausgestattet mit einem luftgedämpften Türschließer oder einem traditionellen Klemmtürschließer

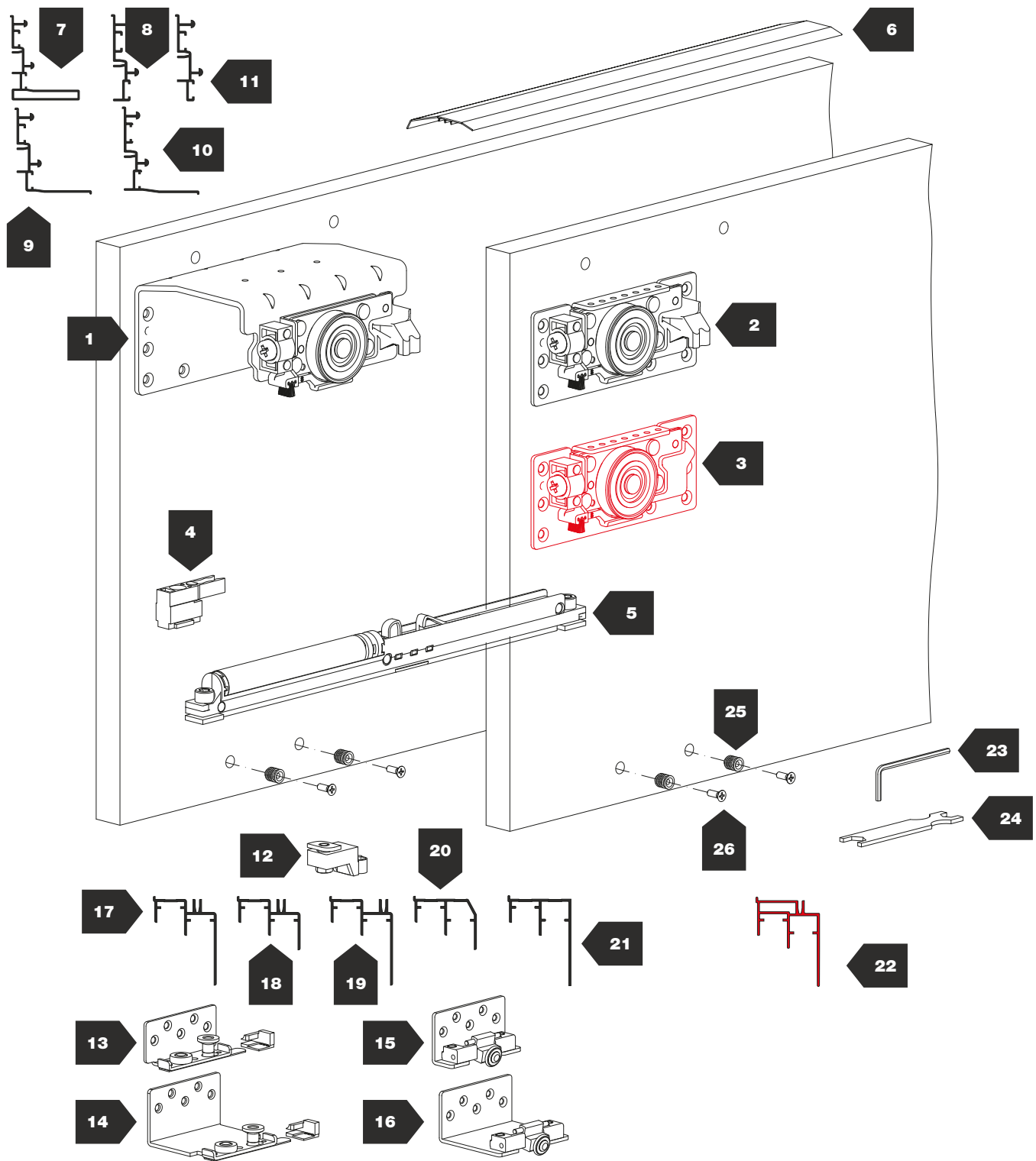
**ES**

Sistema de correderas regulables para armarios con puertas superpuestas dotado de cerrojos amortiguados de aire o seguros tradicionales tipo pinza





**PATENTED**



22 ÷ 50 mm



60 ÷ 80 kg



17 mm ÷ 35 mm

N°	Barcode		KG	→   ←	N°	Barcode		KG	→   ←																																																		
1	2103		80	22 mm	15	1902/N		60÷80	22÷50 mm																																																		
	2104		80	25 mm																																																							
	2105		80	28 mm																																																							
	2106		80	30 mm																																																							
	2107		80	33 mm																																																							
	2108		70	40 mm																																																							
	2109		60	50 mm																																																							
2	2102		60÷80	22÷50 mm	16	1904/N		80	22 mm																																																		
3	2101		60÷80	22÷50 mm				1909/N	80	25 mm																																																	
									1906/N	80	28 mm																																																
										1903/N	80	30 mm																																															
											1908/N	80	33 mm																																														
												1905/N	70	40 mm																																													
													1907/N	60	50 mm																																												
					4	2112								60÷80	22÷50 mm	17	920		60÷80	22÷50 mm																																							
5	2119		60÷80	22÷50 mm				18													910		60÷80	22÷50 mm																																			
									6																2126		60÷80	22÷50 mm	19	1936		60÷80	22÷50 mm																										
										7																								2110		60÷80	22÷50 mm	20	540		60÷80	22÷50 mm																	
											8																																2136		60÷80	22÷50 mm	21	550		60÷80	22÷50 mm								
												9																																								2100		60÷80	22÷50 mm	22	952		60÷80
													10																																														
					11	2230								60÷80	22÷50 mm	23	538		60÷80	22÷50 mm																																							
12	519		60÷80	22÷50 mm				24													1025		60÷80	22÷50 mm																																			
									13																582		60÷80	22÷50 mm	25	529		60÷80	22÷50 mm																										
										14																								587		80	22 mm	26	528		60÷80	22÷50 mm																	
											586																									80	28 mm																						
											499	80																								30 mm																							
											581	80	33 mm																																														
					597	70	40 mm																																																				
584	60	50 mm																																																									

# Star

N.2 Doors  
N.2 Ante

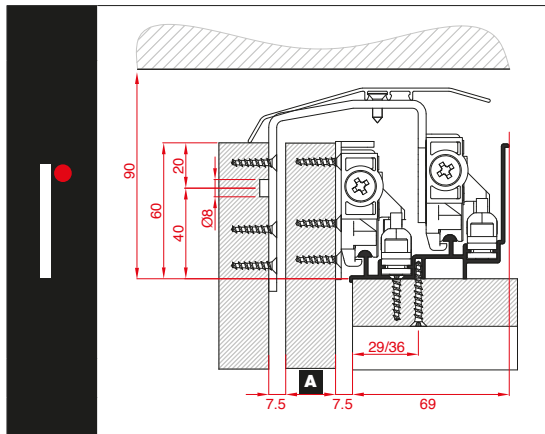
N.4 Soft closings  
N.4 Fermi ammortizzati

Manual guide  
Guida manuale

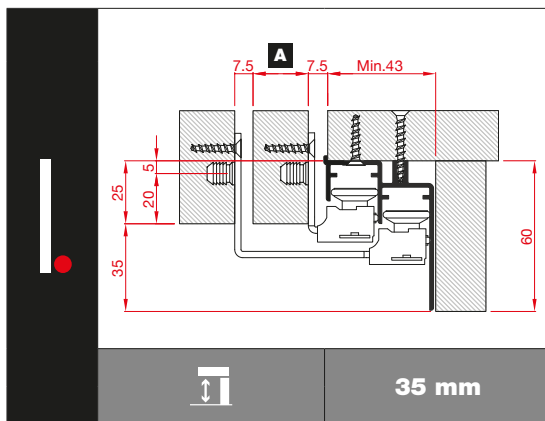
CODE	→ ←	MAX	
2103/587/2119/2A	<b>A</b>	22 mm	80 kg
-		-	-
2105/586/2119/2A		28 mm	80 kg
2106/499/2119/2A		30 mm	80 kg
2107/581/2119/2A		33 mm	80 kg
2108/597/2119/2A		40 mm	70 kg
2109/584/2119/2A	50 mm	60 kg	


<b>KIT</b>				
	<p>N°4 N°2 N°2 N°8 N°8 N°4</p>			
<b>OPTIONAL</b>			<p>→ ←</p> <p><b>ART. 2126</b> (22 ÷ 50 mm)</p>	



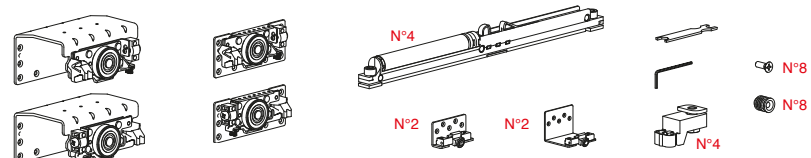
UPPER ALUMINIUM TRACKS / BINARI IN ALLUMINIO SUPERIORI				
ART. 2110	ART. 2100	ART. 2136	ART. 2130	ART. 2230




LOWER ALUMINIUM TRACKS / BINARI IN ALLUMINIO INFERIORI				
ART. 540	ART. 550	ART. 1936	ART. 910	ART. 920

CODE	← →	MAX	
2103/1904/2119/2A	<b>A</b>	22 mm	80 kg
2104/1909/2119/2A		25 mm	80 kg
2105/1906/2119/2A		28 mm	80 kg
2106/1903/2119/2A		30 mm	80 kg
2107/1908/2119/2A		33 mm	80 kg
2108/1905/2119/2A		40 mm	70 kg
2109/1907/2119/2A		50 mm	60 kg



  

<b>KIT</b>	
	<b>OPTIONAL</b>



  

	← →	ART. 2126 (22 ÷ 50 mm)
---	-----	------------------------





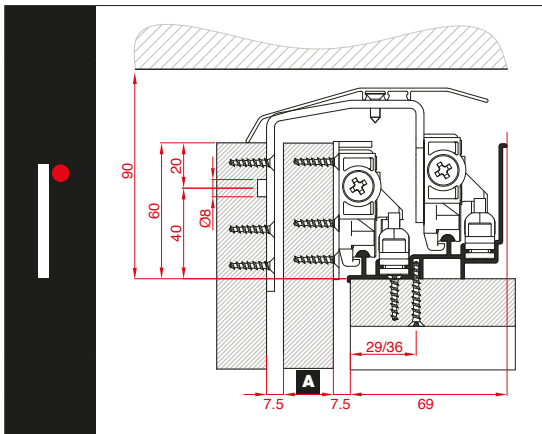
-  N.2 Doors
-  N.2 Ante

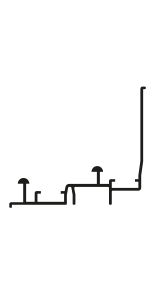
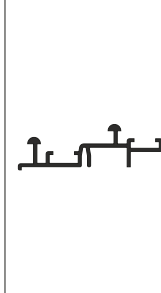
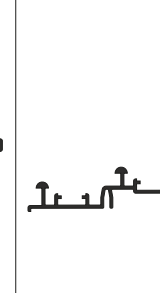
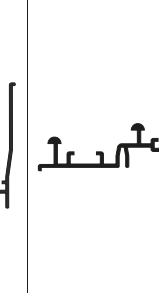
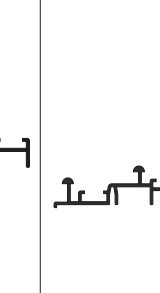

---

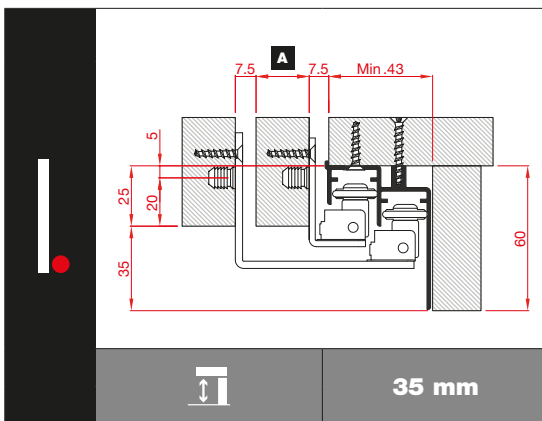
-  N.4 Soft closings
-  N.4 Fermi ammortizzati

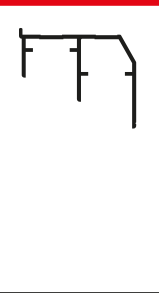
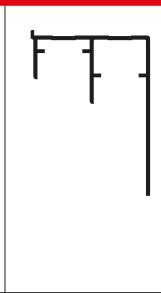





---

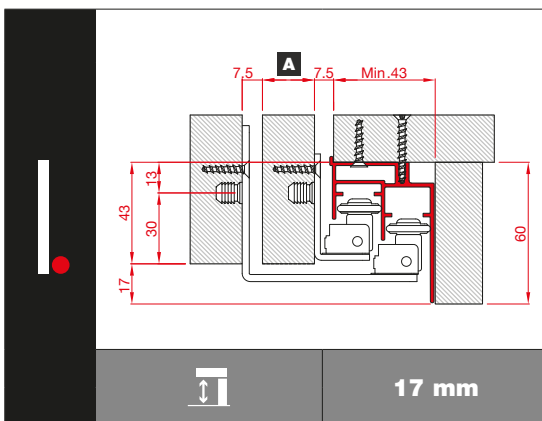
-  Snap hook guide
-  Guida a scatto

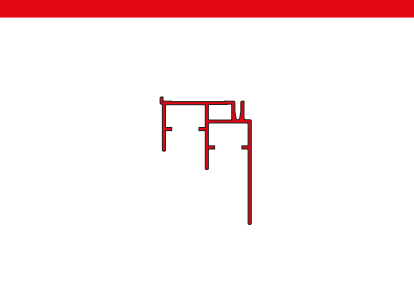
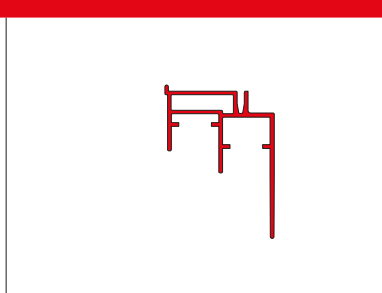



UPPER ALUMINIUM TRACKS / BINARI IN ALLUMINIO SUPERIORI				
				
				
ART. 2110	ART. 2100	ART. 2136	ART. 2130	ART. 2230




LOWER ALUMINIUM TRACKS / BINARI IN ALLUMINIO INFERIORI				
				
				
ART. 540	ART. 550	ART. 1936	ART. 910	ART. 920




LOWER ALUMINIUM TRACKS / BINARI IN ALLUMINIO INFERIORI	
	
	
ART. 1952	ART. 952

# Star

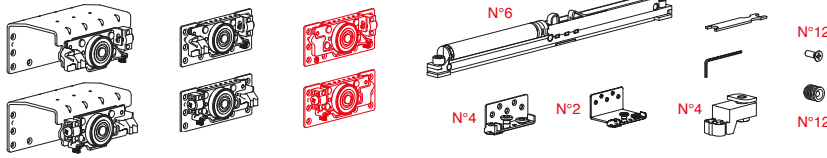
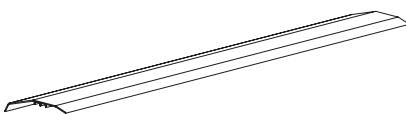

 N.3 Doors  
N.3 Ante

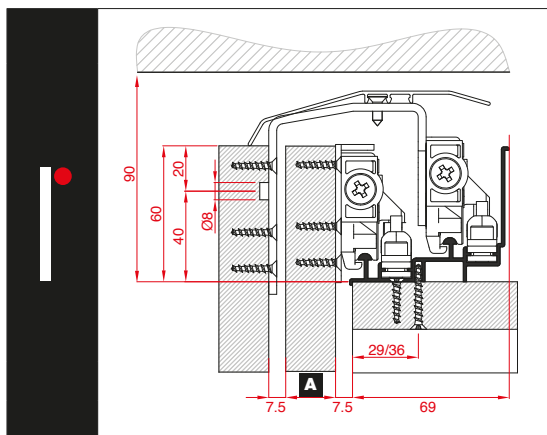
 N.6 Soft closings  
N.6 Fermi ammortizzati

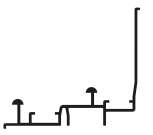
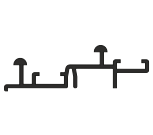
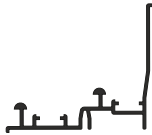
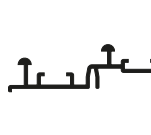
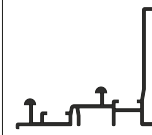
 Manual guide  
Guida manuale

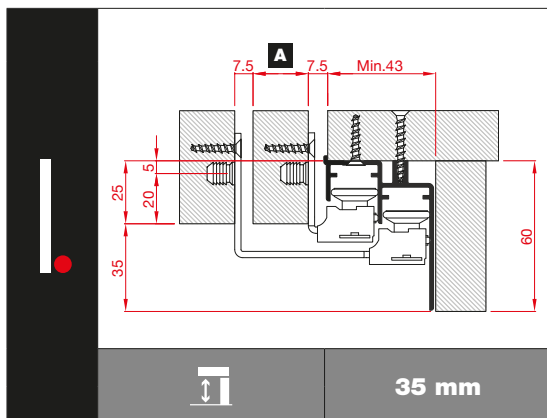
CODE	→ ←	MAX	
2103/587/2119/3A	<b>A</b>	22 mm	80 kg
-		-	-
2105/586/2119/3A		28 mm	80 kg
2106/499/2119/3A		30 mm	80 kg
2107/581/2119/3A		33 mm	80 kg
2108/597/2119/3A		40 mm	70 kg
2109/584/2119/3A	50 mm	60 kg	

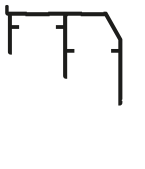
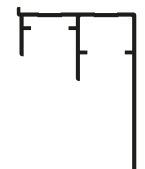
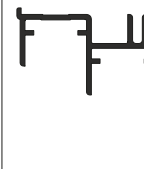
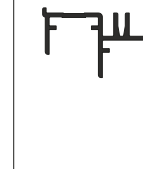
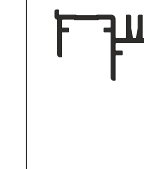
  

<b>KIT</b>				
	<b>OPTIONAL</b>			 <b>ART. 2126</b> (22 ÷ 50 mm)



UPPER ALUMINIUM TRACKS / BINARI IN ALLUMINIO SUPERIORI				
				
ART. 2110	ART. 2100	ART. 2136	ART. 2130	ART. 2230



LOWER ALUMINIUM TRACKS / BINARI IN ALLUMINIO INFERIORI				
				
ART. 540	ART. 550	ART. 1936	ART. 910	ART. 920



CODE		← →	MAX	
<b>A</b>	2103/1904/2119/3A		22 mm	80 kg
	2104/1909/2119/3A		25 mm	80 kg
	2105/1906/2119/3A		28 mm	80 kg
	2106/1903/2119/3A		30 mm	80 kg
	2107/1908/2119/3A		33 mm	80 kg
	2108/1905/2119/3A		40 mm	70 kg
	2109/1907/2119/3A		50 mm	60 kg
<b>KIT</b>				
	<b>OPTIONAL</b>			

# Star

- N.3 Doors  
N.3 Ante
- N.6 Soft closings  
N.6 Fermi ammortizzati
- Snap hook guide  
Guida a scatto

### UPPER ALUMINIUM TRACKS / BINARI IN ALLUMINIO SUPERIORI

ART. 2110	ART. 2100	ART. 2136	ART. 2130	ART. 2230

### LOWER ALUMINIUM TRACKS / BINARI IN ALLUMINIO INFERIORI

ART. 540	ART. 550	ART. 1936	ART. 910	ART. 920


**35 mm**


### LOWER ALUMINIUM TRACKS / BINARI IN ALLUMINIO INFERIORI

ART. 1952	ART. 952


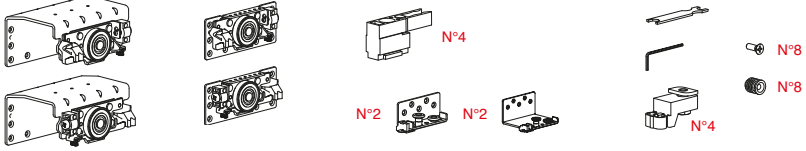
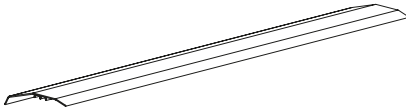

**17 mm**

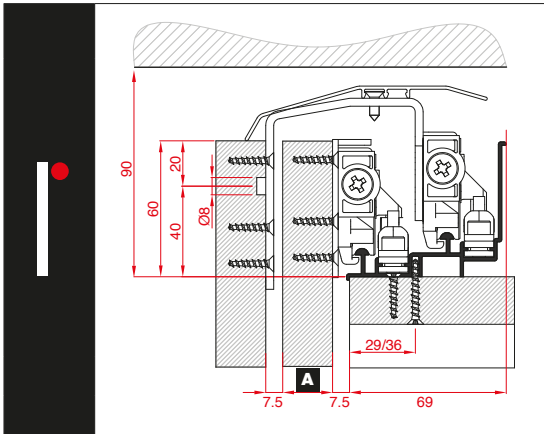
# Star

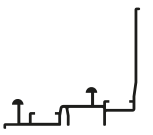
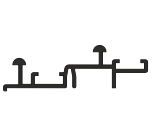
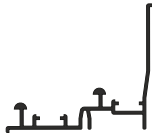
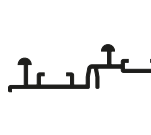
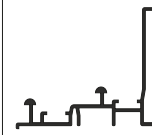

 N.2 Doors  
N.2 Ante

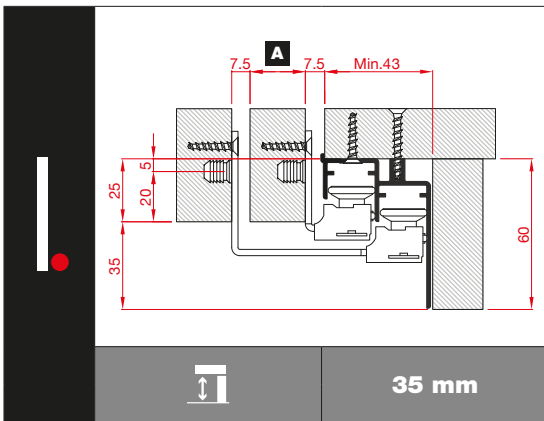
 N.4 Classic stopper  
N.4 Fermi a pinza

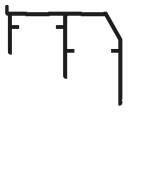
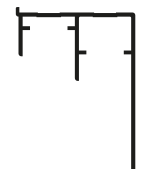
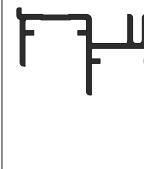
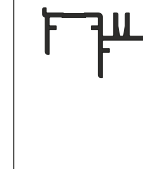
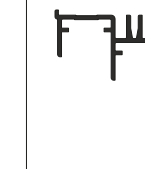


 Manual guide  
Guida manuale


CODE	→ ←	MAX	
2103/587/2112/2A	<b>A</b>	22 mm	80 kg
-		-	-
2105/586/2112/2A		28 mm	80 kg
2106/499/2112/2A		30 mm	80 kg
2107/581/2112/2A		33 mm	80 kg
2108/597/2112/2A		40 mm	70 kg
2109/584/2112/2A	50 mm	60 kg	
<b>KIT</b>			
	<b>OPTIONAL</b>		 <b>ART. 2126</b> (22 ÷ 50 mm)



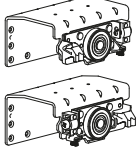
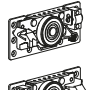
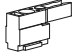







UPPER ALUMINIUM TRACKS / BINARI IN ALLUMINIO SUPERIORI				
				
				
ART. 2110	ART. 2100	ART. 2136	ART. 2130	ART. 2230



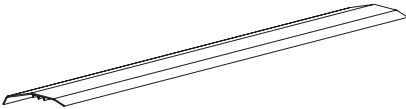
LOWER ALUMINIUM TRACKS / BINARI IN ALLUMINIO INFERIORI				
				
				
ART. 540	ART. 550	ART. 1936	ART. 910	ART. 920

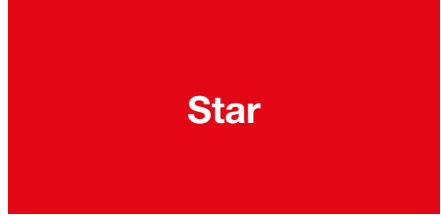
CODE	← →	MAX	
2103/1904/2112/2A	<b>A</b>	22 mm	80 kg
2104/1909/2112/2A		25 mm	80 kg
2105/1906/2112/2A		28 mm	80 kg
2106/1903/2112/2A		30 mm	80 kg
2107/1908/2112/2A		33 mm	80 kg
2108/1905/2112/2A		40 mm	70 kg
2109/1907/2112/2A		50 mm	60 kg



  

<b>KIT</b>				N°4			N°8
				N°2			N°4



  

<b>OPTIONAL</b>		← →	<b>ART. 2126</b> (22 ÷ 50 mm)
-----------------	---	-----	-------------------------------






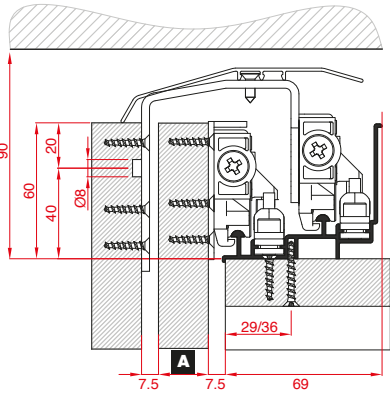
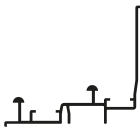
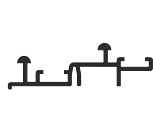
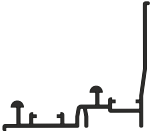
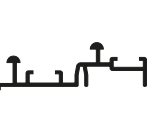
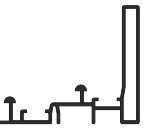

-  N.2 Doors
-  N.2 Ante


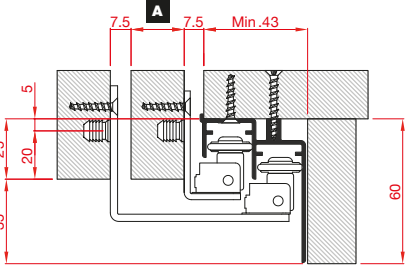
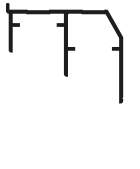
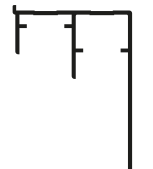
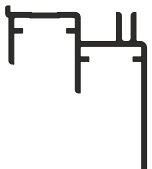
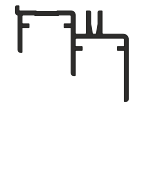
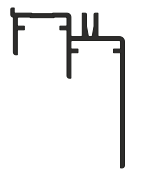


---


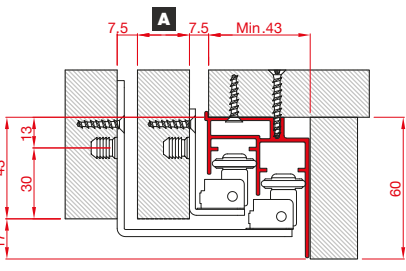
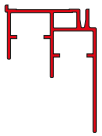
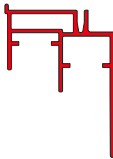


-  N.4 Classic stopper
-  N.4 Fermi a pinza

---


-  Snap hook guide
-  Guida a scatto


		<b>UPPER ALUMINIUM TRACKS / BINARI IN ALLUMINIO SUPERIORI</b>				
						
						
		<b>ART. 2110</b>	<b>ART. 2100</b>	<b>ART. 2136</b>	<b>ART. 2130</b>	<b>ART. 2230</b>

		<b>LOWER ALUMINIUM TRACKS / BINARI IN ALLUMINIO INFERIORI</b>				
						
						
	<b>35 mm</b>	<b>ART. 540</b>	<b>ART. 550</b>	<b>ART. 1936</b>	<b>ART. 910</b>	<b>ART. 920</b>


		<b>LOWER ALUMINIUM TRACKS / BINARI IN ALLUMINIO INFERIORI</b>				
						
						
	<b>17 mm</b>	<b>ART. 1952</b>	<b>ART. 952</b>			

# Star

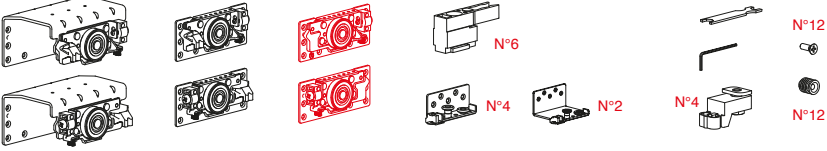
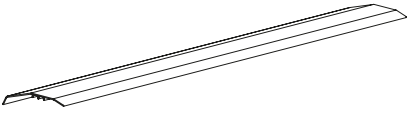

 N.3 Doors  
N.3 Ante

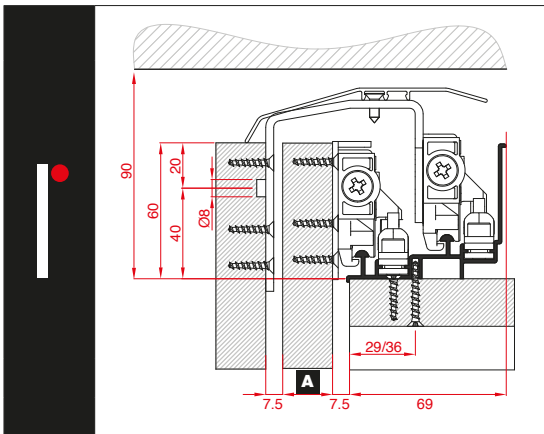
 N.6 Classic stopper  
N.6 Fermi a pinza

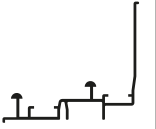
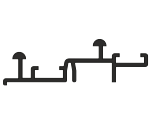

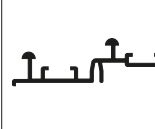
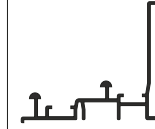
 Manual guide  
Guida manuale

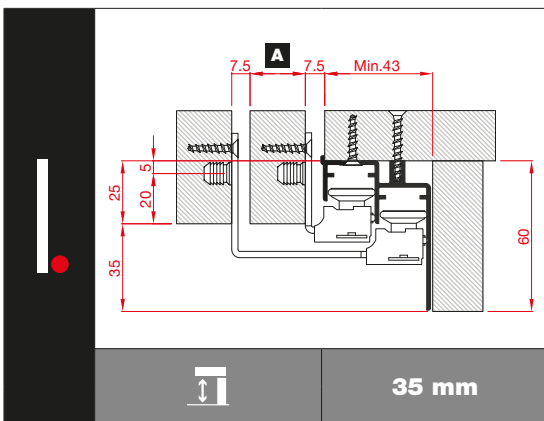
CODE	→ ←	MAX	
2103/587/2112/3A	<b>A</b>	22 mm	80 kg
-		-	-
2105/586/2112/3A		28 mm	80 kg
2106/499/2112/3A		30 mm	80 kg
2107/581/2112/3A		33 mm	80 kg
2108/597/2112/3A		40 mm	70 kg
2109/584/2112/3A	50 mm	60 kg	

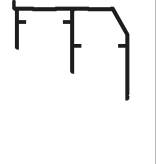
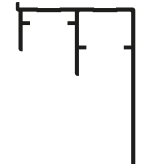
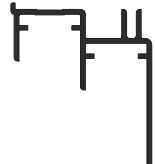
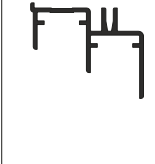
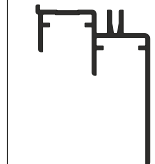
  

<b>KIT</b>					
					
<b>OPTIONAL</b>					 <b>ART. 2126</b> (22 ÷ 50 mm)



UPPER ALUMINIUM TRACKS / BINARI IN ALLUMINIO SUPERIORI				
				
ART. 2110	ART. 2100	ART. 2136	ART. 2130	ART. 2230

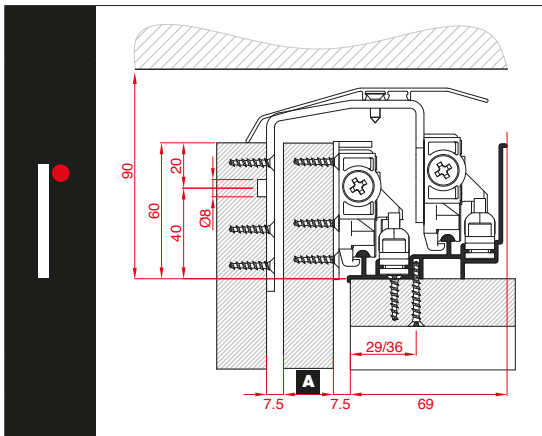


LOWER ALUMINIUM TRACKS / BINARI IN ALLUMINIO INFERIORI				
				
ART. 540	ART. 550	ART. 1936	ART. 910	ART. 920

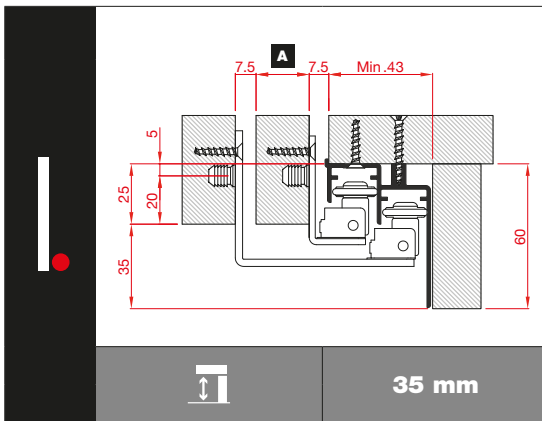
CODE		← →	MAX	
<b>A</b>	2103/1904/2112/3A	<b>A</b>	22 mm	80 kg
	2104/1909/2112/3A		25 mm	80 kg
	2105/1906/2112/3A		28 mm	80 kg
	2106/1903/2112/3A		30 mm	80 kg
	2107/1908/2112/3A		33 mm	80 kg
	2108/1905/2112/3A		40 mm	70 kg
	2109/1907/2112/3A		50 mm	60 kg
<b>KIT</b>				

**Star**

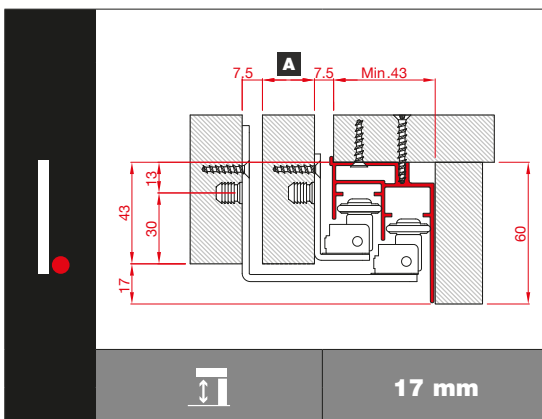
- N.3 Doors  
N.3 Ante
- N.6 Classic stopper  
N.6 Fermi a pinza
- Snap hook guide  
Guida a scatto



UPPER ALUMINIUM TRACKS / BINARI IN ALLUMINIO SUPERIORI				
ART. 2110	ART. 2100	ART. 2136	ART. 2130	ART. 2230



LOWER ALUMINIUM TRACKS / BINARI IN ALLUMINIO INFERIORI				
ART. 540	ART. 550	ART. 1936	ART. 910	ART. 920

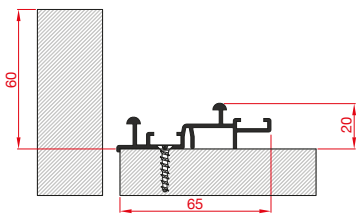
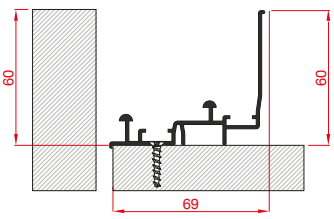
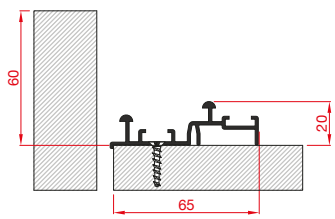
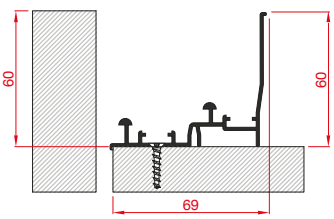
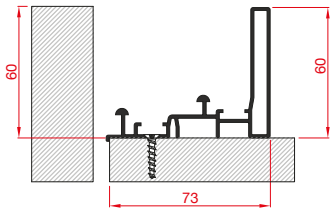
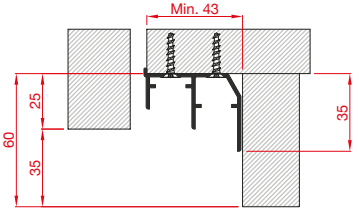
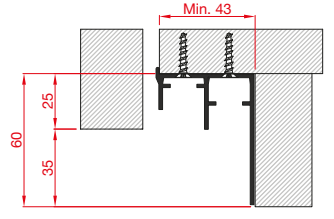


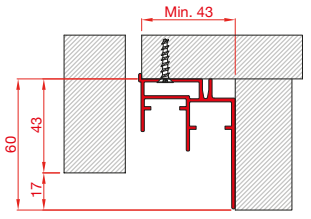
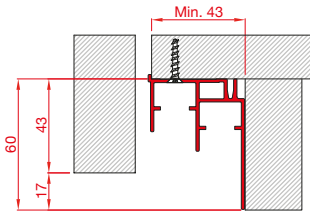




LOWER ALUMINIUM TRACKS / BINARI IN ALLUMINIO INFERIORI	
ART. 1952	ART. 952

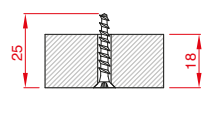
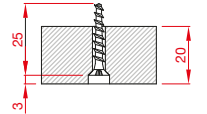
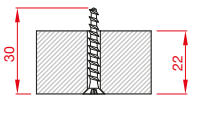
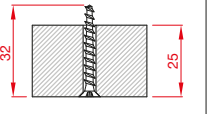
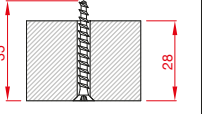
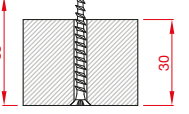
 N.2 Doors  
 N.2 Ante

 N.3 Doors  
 N.3 Ante


**CLAMPING SYSTEM WITH PUNCHED TRACKS  
 SISTEMA DI FISSAGGIO CON BINARI FORATI**


	
<b>ART. 2100</b>	<b>ART. 2110</b>
	
<b>ART. 2130</b>	<b>ART. 2136</b>
	
<b>ART. 2230</b>	
	
 35 mm	 35 mm
<b>ART. 540</b>	<b>ART. 550</b>
	
 17 mm	 17 mm
<b>ART. 952</b>	<b>ART. 1952</b>

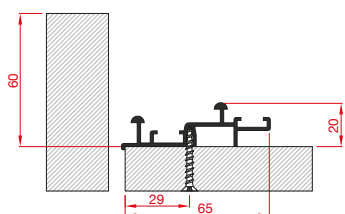
**SCREW / VITE**

					
<b>Ø 3,9x25</b>	<b>Ø 3,9x25</b>	<b>Ø 4,0x30</b>	<b>Ø 3,9x32</b>	<b>Ø 4,0x35</b>	<b>Ø 3,9x38</b>

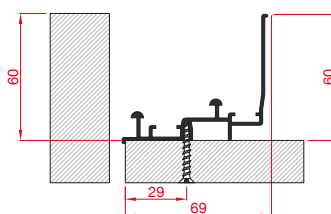
**CLAMPING SYSTEM WITH TRACKS FOR MODULAR FURNITURE**  
**SISTEMA DI FISSAGGIO BINARI PER MOBILI COMPONIBILI**

 Modular systems - N.2 Doors  
 Sistemi modulari - N.2 Ante

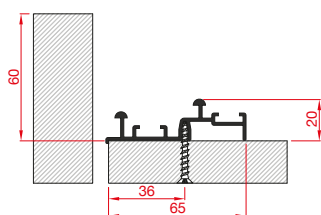
 Modular systems - N.3 Doors  
 Sistemi modulari - N.3 Ante



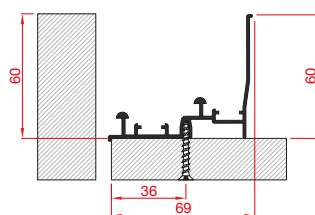
ART. 2100



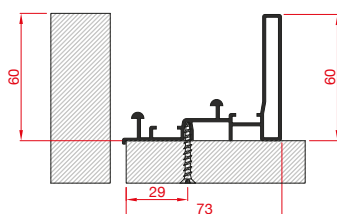
ART. 2110



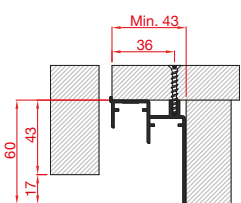
ART. 2130



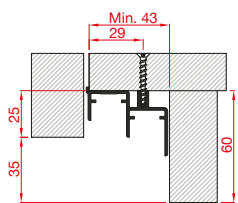
ART. 2136



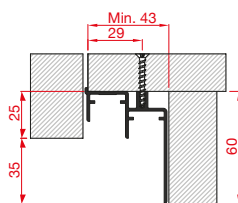
ART. 2230



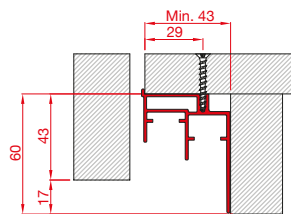
ART. 1936



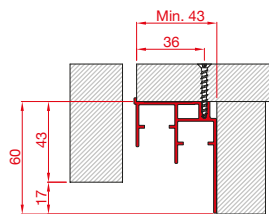
ART. 910



ART. 920

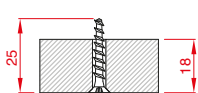


ART. 952

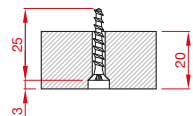


ART. 1952

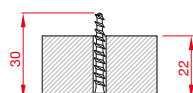
**SCREW / VITE**



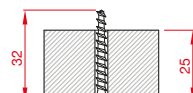
Ø 3,9x25



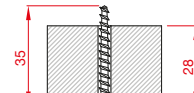
Ø 3,9x25



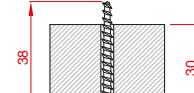
Ø 4,0x30



Ø 3,9x32



Ø 4,0x35



Ø 3,9x38



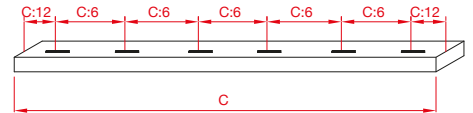
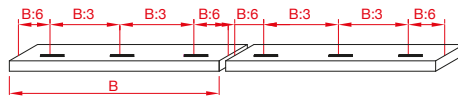
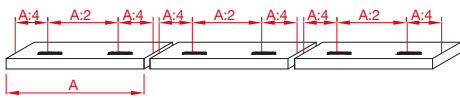
A:2 Min. 500 mm



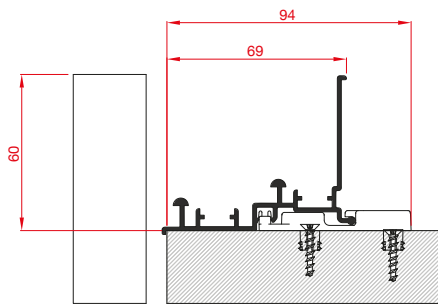
B:3 Min. 500 mm



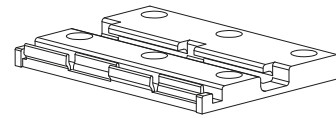
C:6 Min. 500 mm



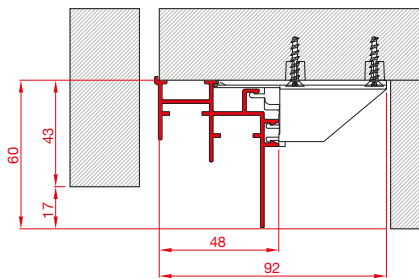
CLAMPING SYSTEM WITH PUNCHED TRACKS  
 SISTEMA DI FISSAGGIO CON BINARI FORATI



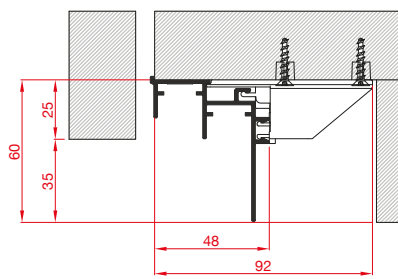
ART. 2120



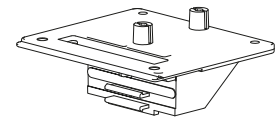
ART. 1003



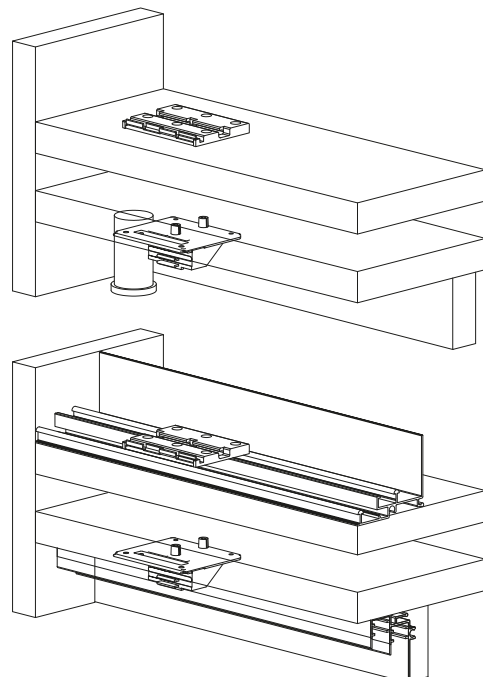
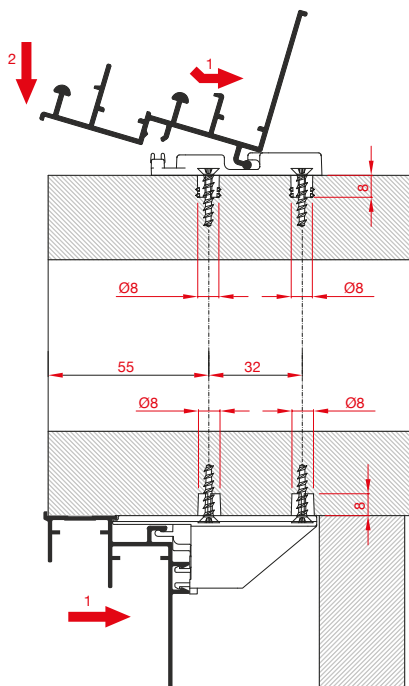
ART. 1008



ART. 1009

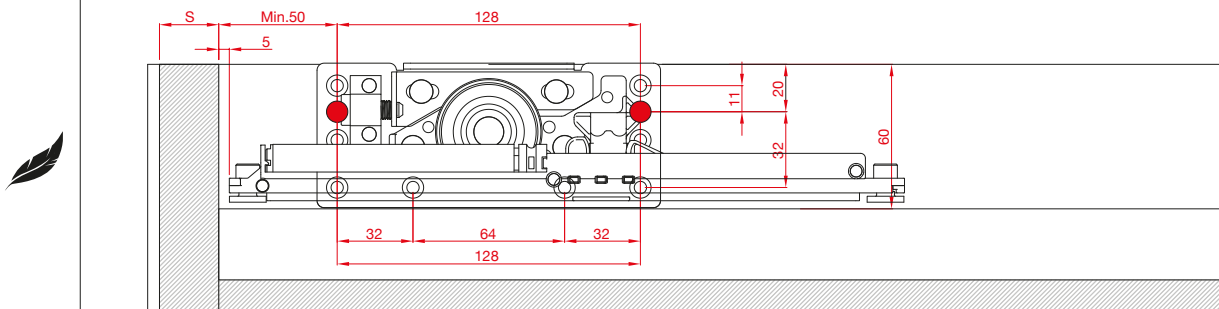


ART. 1006

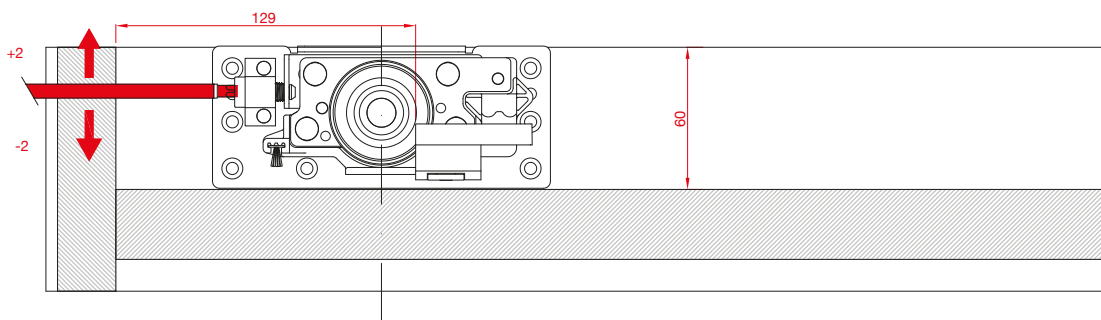




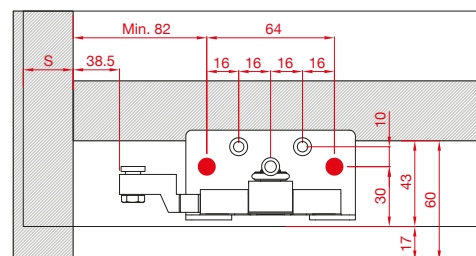
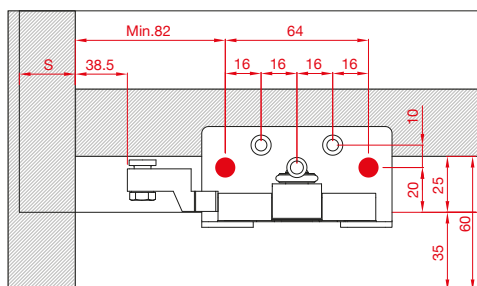
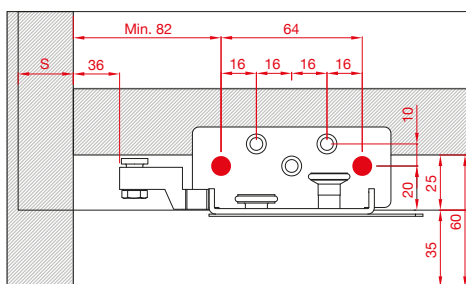
SIZE DESCRIPTION / DESCRIZIONE MISURE



S = OVERLAP SIDE DOOR / S = SORMONTO ANTA SU FIANCO

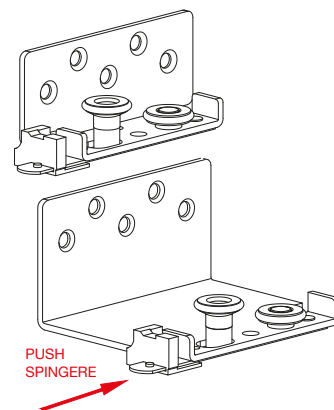
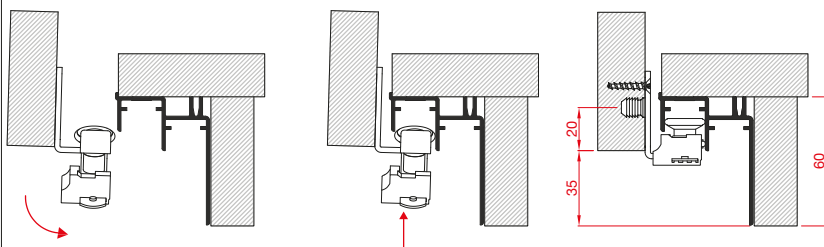


SIZE DESCRIPTION / DESCRIZIONE MISURE



DESCRIPTION OF LOWER GUIDES / DESCRIZIONE GUIDE INFERIORI

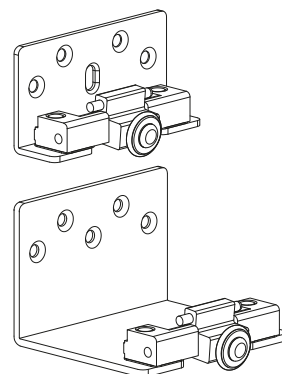
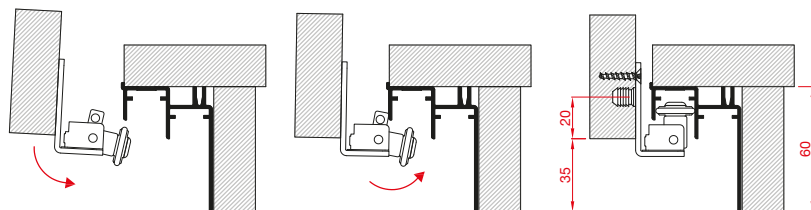
Fi



ART. 582

35 mm - MANUAL GUIDE WITH 2 WHEELS / 35 mm - GUIDA MANUALE CON 2 RUOTE

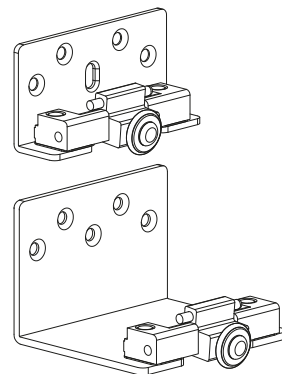
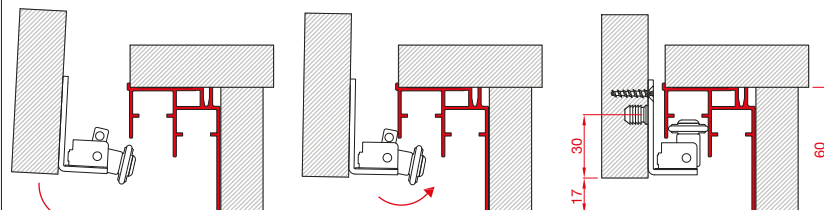
Fi



ART. 1902/N (35 mm)

35 mm - SNAP HOOK GUIDE WITH ONE WHEEL / 35 mm - GUIDA A SCATTO CON 2 RUOTE

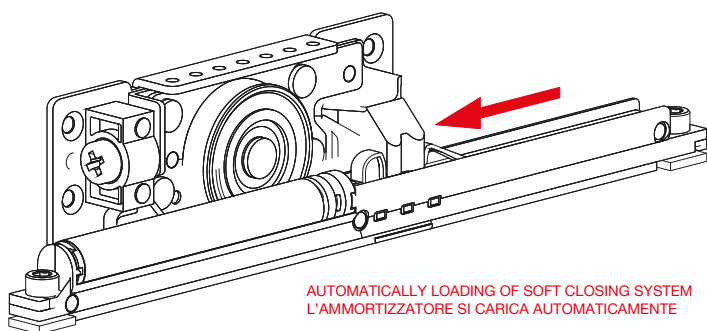
Fi



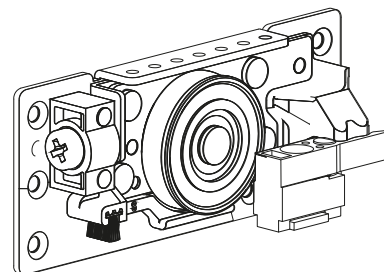
ART. 1902/N (17 mm)

17 mm - SNAP HOOK GUIDE WITH ONE WHEEL / 17 mm - GUIDA A SCATTO CON 2 RUOTE

**DAMPER / AMMORTIZZATORE**

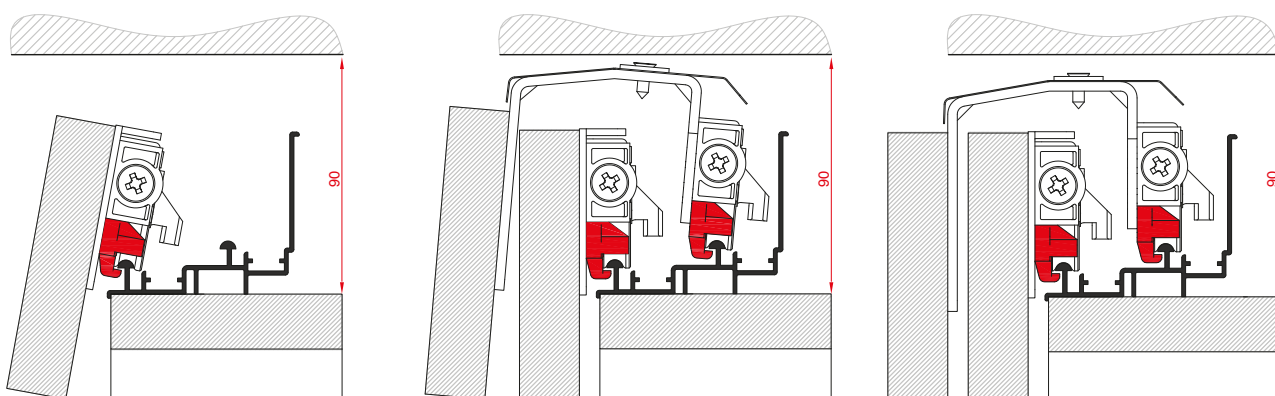


**SOFT CLOSING / FERMO AMMORTIZZATO**

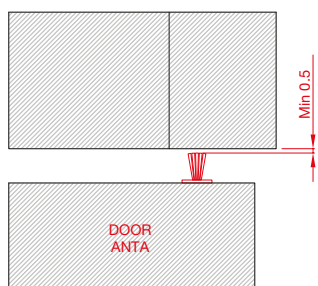


**CLASSIC STOPPER / FERMO A PINZA**

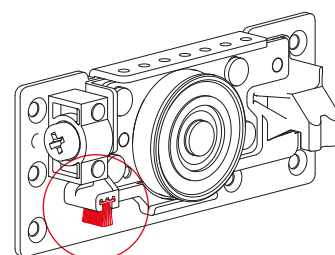
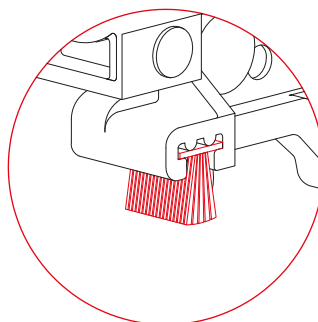
**PATENTED ANTI-UNHOOKING SYSTEM / SISTEMA DI ANTISGANCIAMENTO BREVETTATO**



**ANTI DUST BRUSH / SPAZZOLINO PARAPOLVERE**



- ART. 542/9
- ART. 542/11
- ART. 542/13
- ART. 543/9
- ART. 543/11
- ART. 543/13



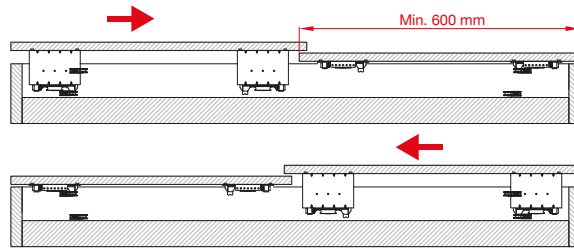
**OPTIONAL**

**BRUSH DISTANCE / DISTANZA SPAZZOLINO**

**FOR TRACK CLEANING / PER LA PULIZIA DEI BINARI**

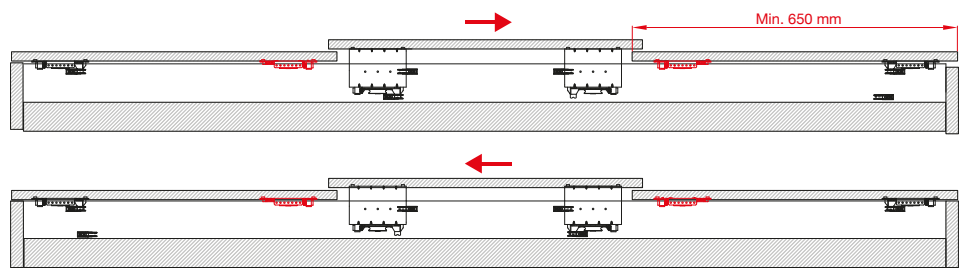
N. 2 Doors  
 N. 2 Ante

N. 4 Classic stopper  
 opening and closing  
 N. 4 Fermi a pinza  
 apertura e chiusura



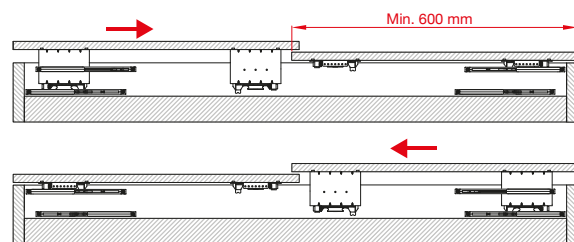
N. 3 Doors  
 N. 3 Ante

N. 6 Classic stopper  
 opening and closing  
 N. 6 Fermi a pinza  
 apertura e chiusura



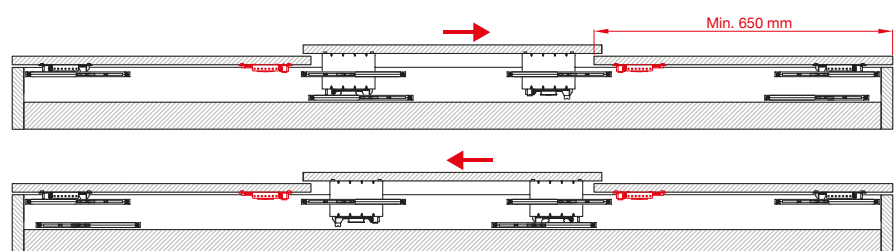
N. 2 Doors  
 N. 2 Ante

N. 4 Soft closings  
 opening and closing  
 N. 4 Fermi ammortizzati  
 apertura e chiusura

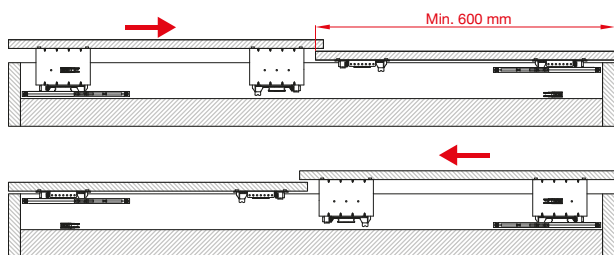
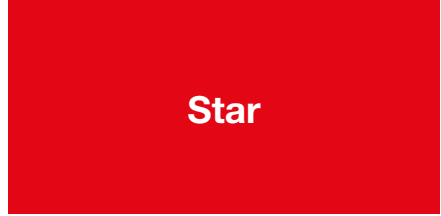



N. 3 Doors  
 N. 3 Ante


N. 6 Soft closings  
 N. 6 Fermi ammortizzati



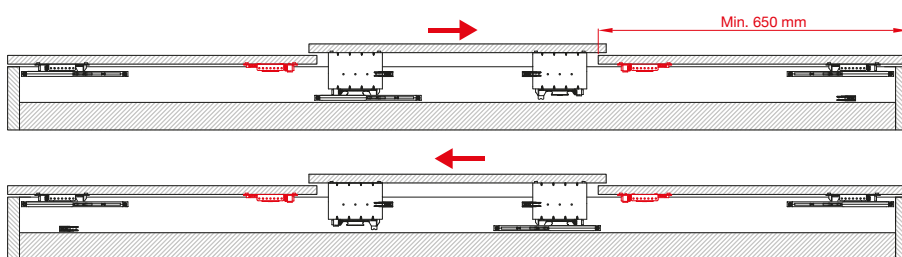
Optional kit – closing position / Kit optional - posizione fermi  
 Kit sur demande – position fermais / Personalisiertes Set – Türschließer Kit  
 bajo pedido – posición cerrojos




 N. 2 Doors  
 N. 2 Ante

 N. 2 Soft closings  
 closing  
 N. 2 Fermi ammortizzati  
 chiusura

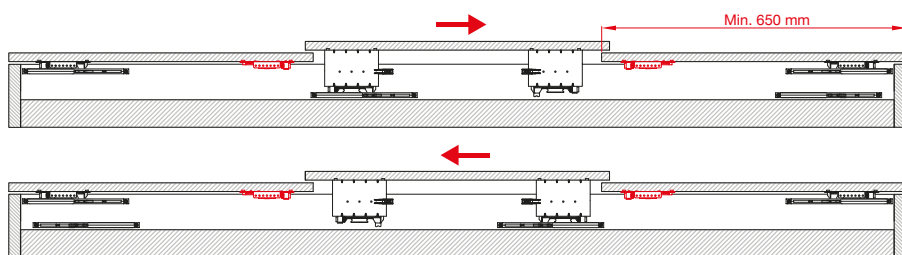
 N. 2 Classic stopper  
 opening  
 N. 2 Fermi a pinza  
 apertura




 N. 3 Doors  
 N. 3 Ante


 N. 3 Soft closings  
 closing  
 N. 3 Fermi ammortizzati  
 chiusura

 N. 3 Classic stopper  
 opening  
 N. 3 Fermi a pinza  
 apertura



 N. 3 Doors  
 N. 3 Ante

**INTERNAL DOORS / ANTA INTERNA**

 Soft closing  
 closing  
 Fermi ammortizzati  
 chiusura

 Classic stopper  
 opening  
 Fermi a pinza  
 apertura

**EXTERNAL DOORS / ANTA ESTERNA**

 Soft closing  
 opening and closing  
 Fermi ammortizzati  
 apertura e chiusura



[www.ternoscorrevoli.com/star](http://www.ternoscorrevoli.com/star)