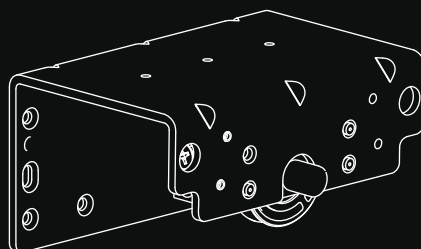




Base

Adjustable sliding system of wardrobe doors
Scorrevoli regolabili per armadi con ante sovrapposte



Base

**Adjustable sliding system for wardrobes
with overlapped doors**

**Sistema di scorrevoli regolabili per armadi
con ante esterne sovrapposte**

NEW

EN

Adjustable sliding system of wardrobe doors with veneered panels, equipped with damped air stops or traditional clamp closing

IT

Sistema di scorrevoli regolabili per armadi con ante sovrapposte, dotato di fermi ammortizzati ad aria o fermi tradizionali a pinza

FR

Système de rails coulissants réglables pour armoires avec vantaux parallèles, équipé d'amortisseurs de fin de course à air ou de fermetures traditionnelles à pinces

DE

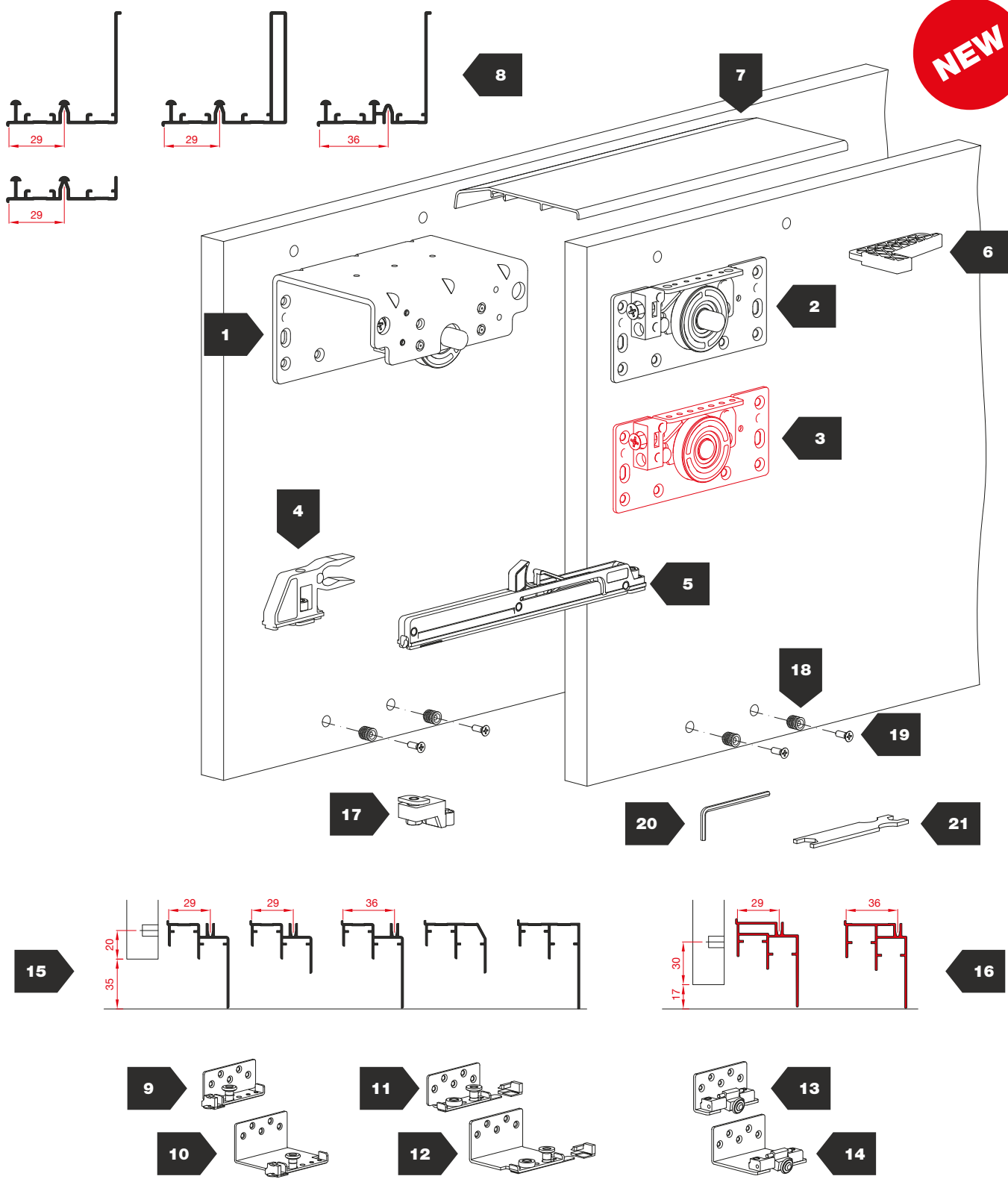
Regulierbares Schiebetürsystem für Schränke mit überlappenden Türen, ausgestattet mit einem luftgedämpften Türschließer oder einem traditionellen Klemmtürschließer

ES

Sistema de correderas regulables para armarios con puertas superpuestas dotado de cerrojos amortiguados de aire o seguros tradicionales tipo pinza



NEW



22 ÷ 40 mm

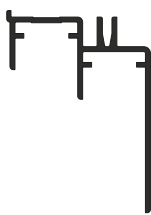
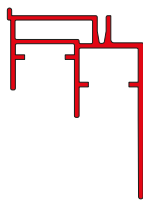
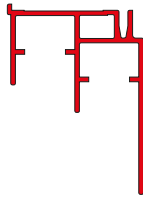
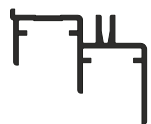
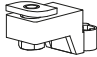
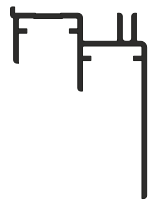


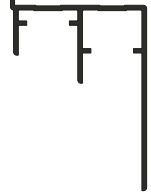

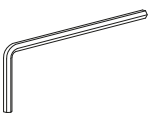




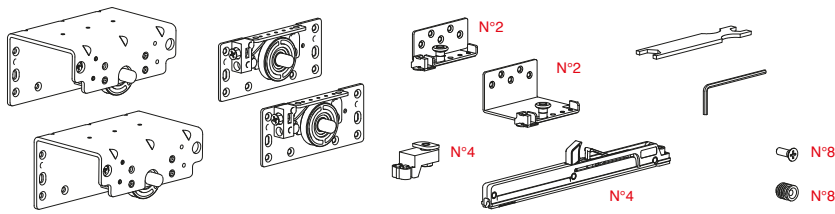
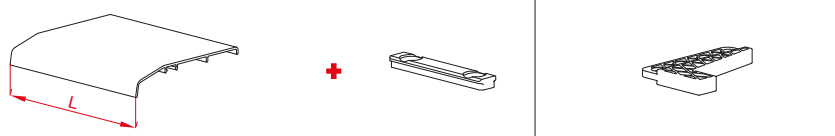
60 kg





17 mm ÷ 35 mm



N°	Barcode		KG	→ ←	N°	Barcode		KG	→ ←				
1	2542		60	22 mm	9	512		60	22÷40 mm				
	2543		60	28 mm									
	2546		60	30 mm									
	2544		60	33 mm									
	2545		60	40 mm									
2	2541		60	22÷40 mm	10	497		60	22 mm				
3	2539		60	22÷40 mm				507	60	28 mm			
								506	60	30 mm			
								511	60	33 mm			
501	60	40 mm											
4	2549		60	22÷40 mm	11	582		60	22÷40 mm				
5	2548		60	22÷40 mm				12	499		587	60	22 mm
											6	2534	
7	2532		60	22÷40 mm							581	60	30 mm
											597	60	33 mm
597	60	40 mm											
8	2540		60	22÷40 mm	13	1902/N		60	22÷40 mm				
	2550		60	22÷40 mm				14	1904/N		80	22 mm	
	2536		60	22÷40 mm							1906/N	80	28 mm
	2530		60	22÷40 mm							1903/N	80	30 mm
1908/N					80	33 mm							
1905/N	70	40 mm											



N°	Barcode		KG	→ ←	N°	Barcode		KG	→ ←	
15			60	22÷40 mm	16			60	22÷40 mm	
	920							60	22÷40 mm	
	910		60	22÷40 mm	17			60	22÷40 mm	
	1936		60	22÷40 mm			519			
	540		60	22÷40 mm		18			60	22÷40 mm
550		60	22÷40 mm		529					
					19			60	22÷40 mm	
					20			60	22÷40 mm	
					21			60	22÷40 mm	


CODE	→ ←	MAX	
2542/507/2548/2	A	22 mm	60 kg
2543/506/2548/2		28 mm	60 kg
2546/497/2548/2		30 mm	60 kg
2544/511/2548/2		33 mm	60 kg
2545/501/2548/2		40 mm	60 kg
KIT			
			
OPTIONAL	ART. 2532	ART. 2221	ART. 2534

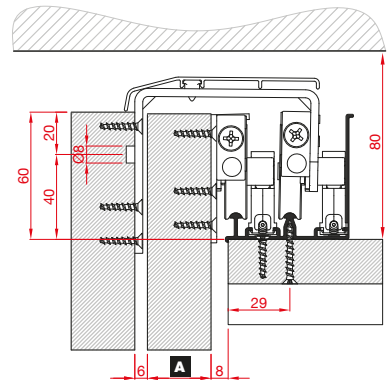
Base

-  N.2 Doors
-  N.2 Ante

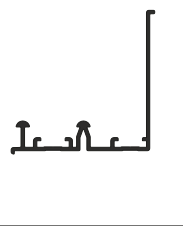
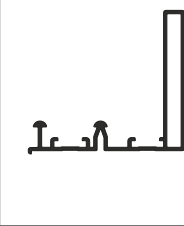
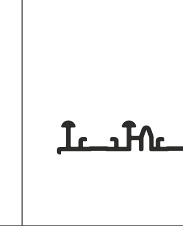
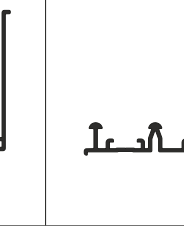
-  N.4 Soft closings
-  N.4 Fermi ammortizzati


-  Manual guide - 1 wheel
-  Guida manuale - 1 ruota

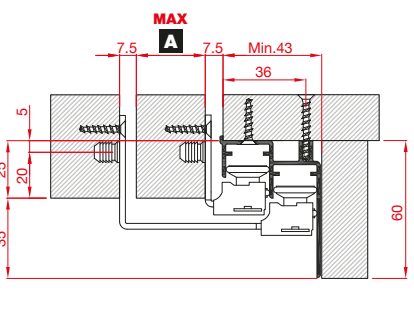






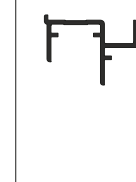
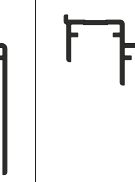
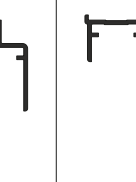
UPPER ALUMINIUM TRACKS / BINARI IN ALLUMINIO SUPERIORI

			
ART. 2540	ART. 2550	ART. 2536	ART. 2530





LOWER ALUMINIUM TRACKS / BINARI IN ALLUMINIO INFERIORI


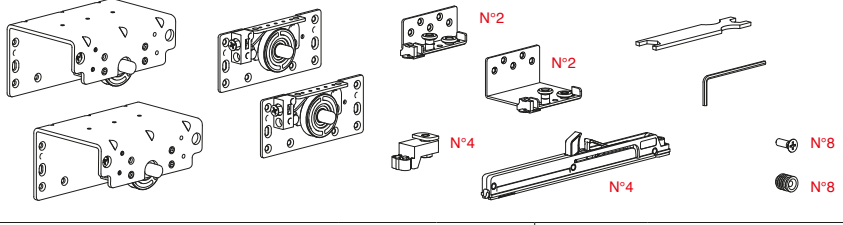
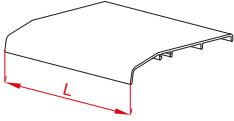
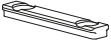

				
ART. 540	ART. 550	ART. 1936	ART. 910	ART. 920

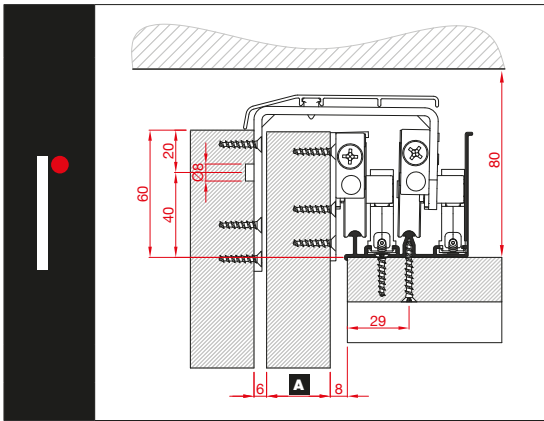
Base

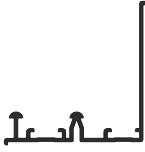
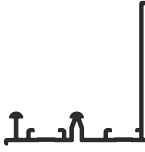
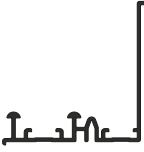

N.2 Doors
N.2 Ante

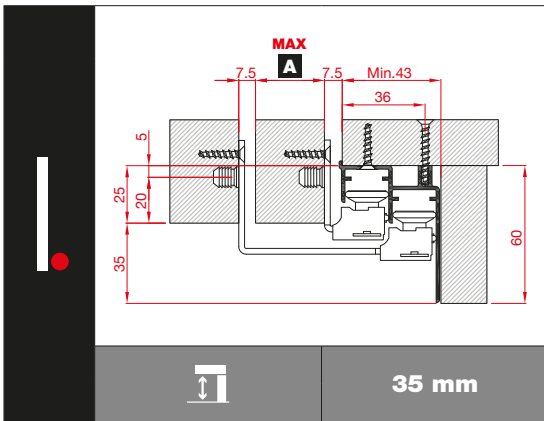
N.4 Soft closings
N.4 Fermi ammortizzati


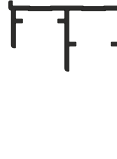



Manual guide - 2 wheels
Guida manuale - 2 ruote


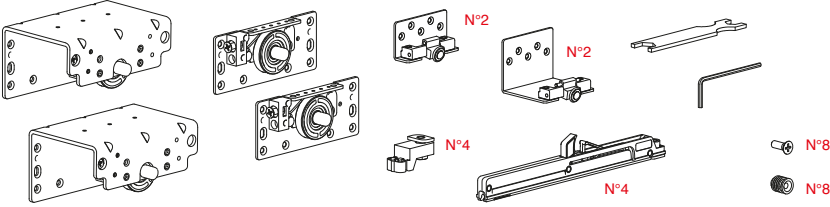
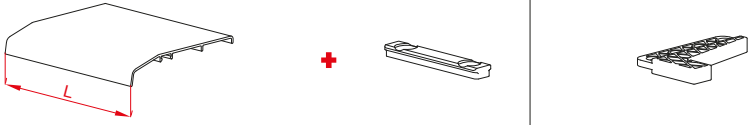
CODE	→ ←	MAX	
2542/587/2548/2	A	22 mm	60 kg
2543/586/2548/2		28 mm	60 kg
2546/499/2548/2		30 mm	60 kg
2544/581/2548/2		33 mm	60 kg
2545/597/2548/2		40 mm	60 kg
KIT			
	OPTIONAL		
		+	
	ART. 2532		
		ART. 2221	ART. 2534




UPPER ALUMINIUM TRACKS / BINARI IN ALLUMINIO SUPERIORI			
			
ART. 2540	ART. 2550	ART. 2536	ART. 2530




LOWER ALUMINIUM TRACKS / BINARI IN ALLUMINIO INFERIORI				
				
ART. 540	ART. 550	ART. 1936	ART. 910	ART. 920

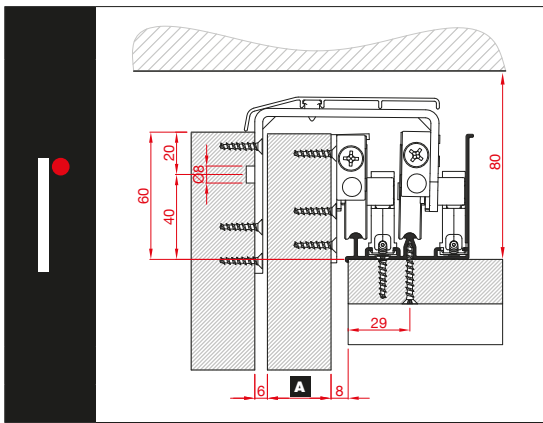
CODE		→ ←	MAX	
2542/1904/2548/2	A		22 mm	60 kg
2543/1906/2548/2		28 mm	60 kg	
2546/1903/2548/2		30 mm	60 kg	
2544/1908/2548/2		33 mm	60 kg	
2545/1905/2548/2		40 mm	60 kg	
KIT				
				
OPTIONAL	ART. 2532	ART. 2221	ART. 2534	

Base

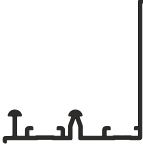
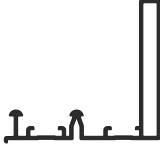
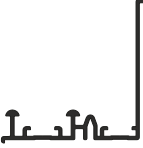
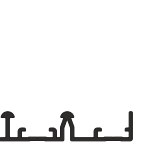

 N.2 Doors
N.2 Ante

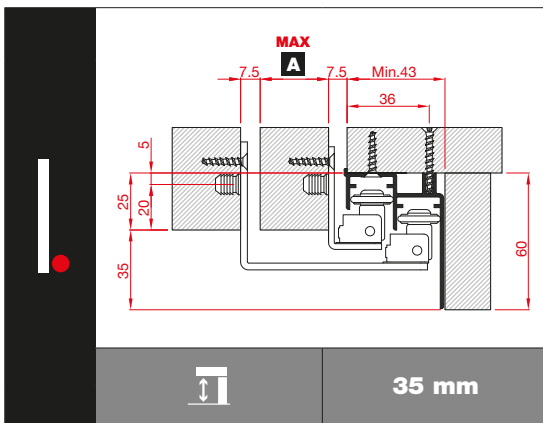
 N.4 Soft closings
N.4 Fermi ammortizzati

 Snap hook guide
Guida a scatto

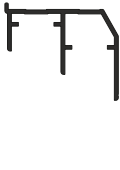

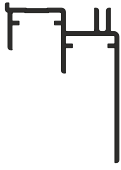

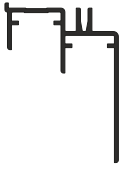




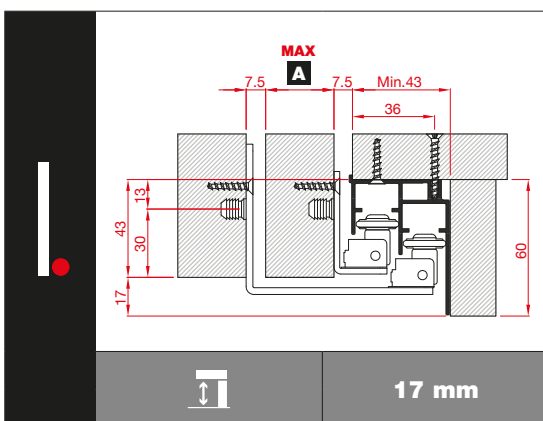
UPPER ALUMINIUM TRACKS / BINARI IN ALLUMINIO SUPERIORI

			
			
ART. 2540	ART. 2550	ART. 2536	ART. 2530

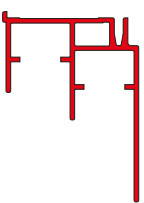
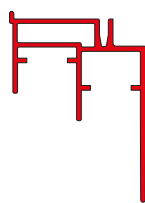



LOWER ALUMINIUM TRACKS / BINARI IN ALLUMINIO INFERIORI

				
				
ART. 540	ART. 550	ART. 1936	ART. 910	ART. 920



LOWER ALUMINIUM TRACKS / BINARI IN ALLUMINIO INFERIORI

	
	
ART. 1952	ART. 952

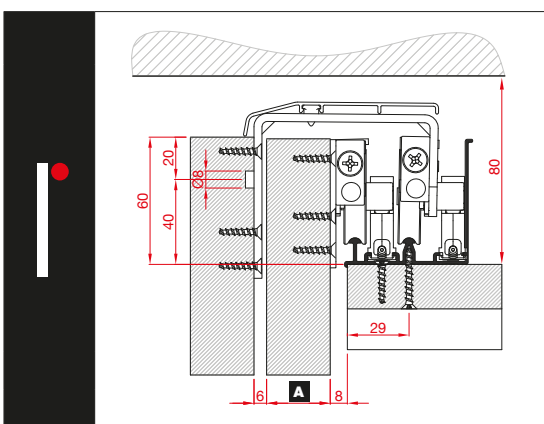
Base

N.3 Doors
N.3 Ante

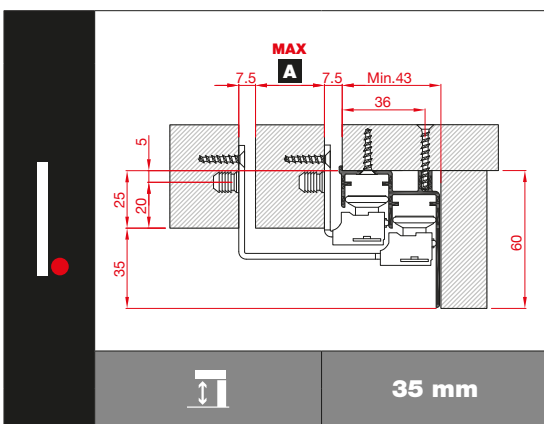
N.6 Soft closings
N.6 Fermi ammortizzati

Manual guide - 1 wheel
Guida manuale - 1 ruota


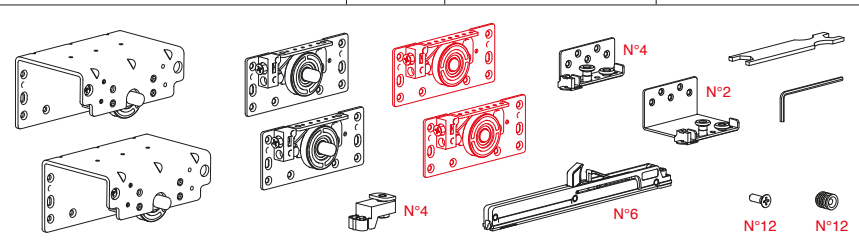
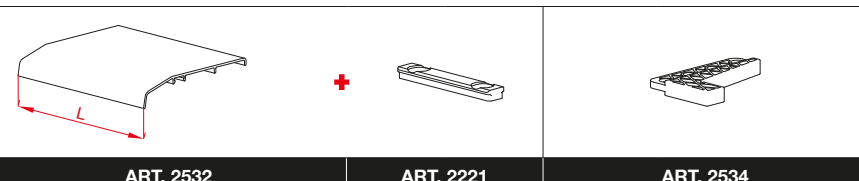
CODE	→ ←	MAX		
2542/507/2548/3	A	22 mm	60 kg	
2543/506/2548/3		28 mm	60 kg	
2546/497/2548/3		30 mm	60 kg	
2544/511/2548/3		33 mm	60 kg	
2545/501/2548/3		40 mm	60 kg	
KIT				
	OPTIONAL			
		ART. 2532	ART. 2221	ART. 2534




UPPER ALUMINIUM TRACKS / BINARI IN ALLUMINIO SUPERIORI			
ART. 2540	ART. 2550	ART. 2536	ART. 2530





LOWER ALUMINIUM TRACKS / BINARI IN ALLUMINIO INFERIORI				
ART. 540	ART. 550	ART. 1936	ART. 910	ART. 920


CODE	→ ←	MAX	
2542/587/2548/3	A	22 mm	60 kg
2543/586/2548/3		28 mm	60 kg
2546/499/2548/3		30 mm	60 kg
2544/581/2548/3		33 mm	60 kg
2545/597/2548/3		40 mm	60 kg
KIT			
			
OPTIONAL	ART. 2532	ART. 2221	ART. 2534

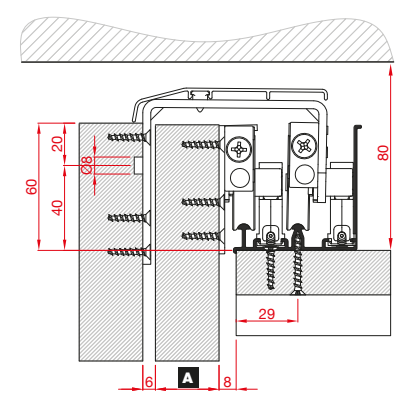
Base

-  N.3 Doors
N.3 Ante

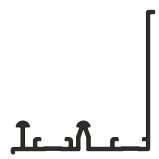
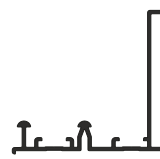

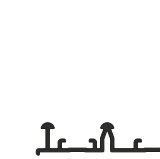

-  N.6 Soft closings
N.6 Fermi ammortizzati


-  Manual guide - 2 wheels
Guida manuale - 2 ruote

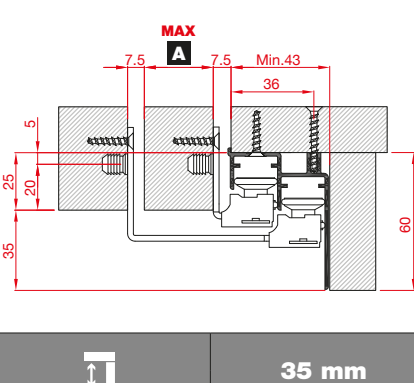





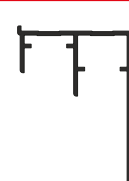
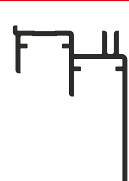
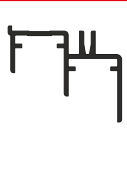
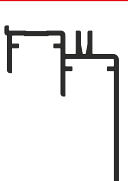


UPPER ALUMINIUM TRACKS / BINARI IN ALLUMINIO SUPERIORI

			
			
ART. 2540	ART. 2550	ART. 2536	ART. 2530






LOWER ALUMINIUM TRACKS / BINARI IN ALLUMINIO INFERIORI


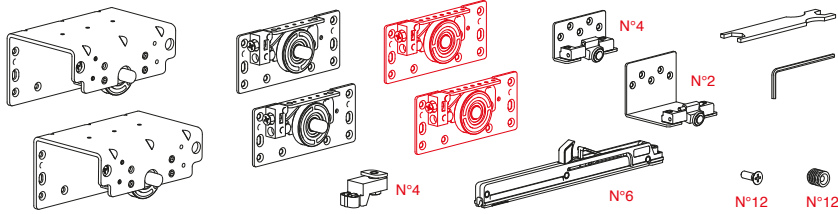
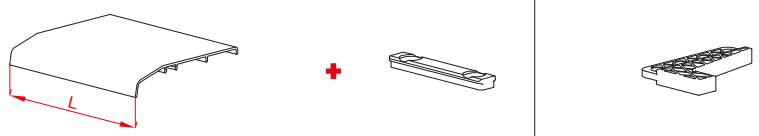
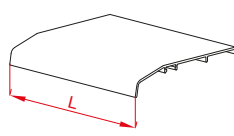


				
				
ART. 540	ART. 550	ART. 1936	ART. 910	ART. 920

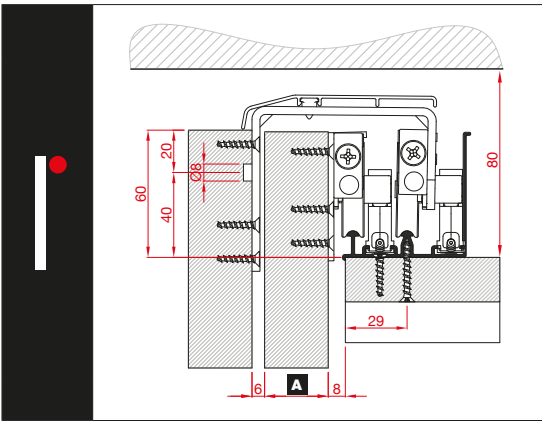
Base

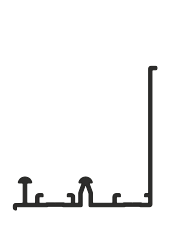
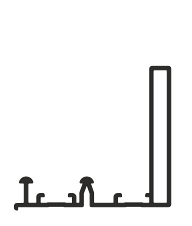
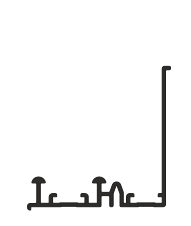
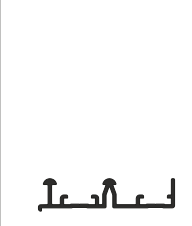
 N.3 Doors
N.3 Ante

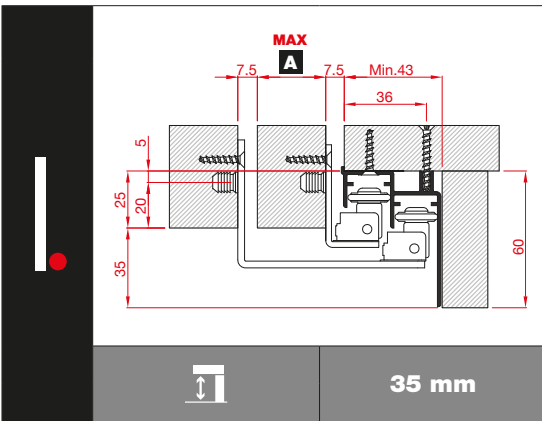
 N.6 Soft closings
N.6 Fermi ammortizzati


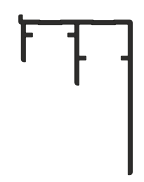
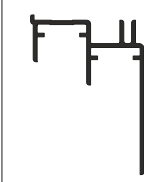
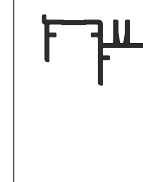
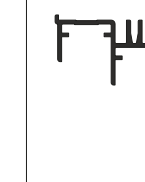
 Snap hook guide
Guida a scatto

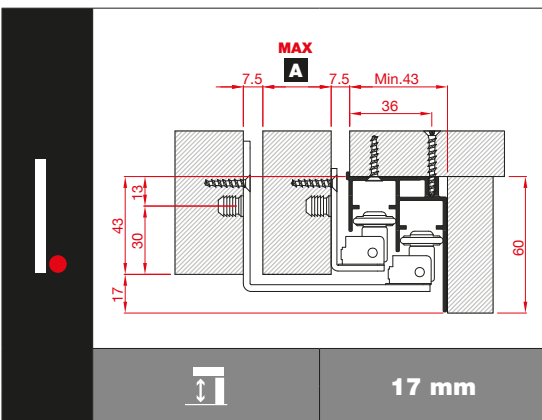
CODE	→ ←	MAX	
2542/1904/2548/3	A	22 mm	60 kg
2543/1906/2548/3		28 mm	60 kg
2546/1903/2548/3		30 mm	60 kg
2544/1908/2548/3		33 mm	60 kg
2545/1905/2548/3		40 mm	60 kg
KIT			
			
OPTIONAL	 ART. 2532	 ART. 2221	 ART. 2534

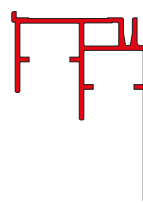
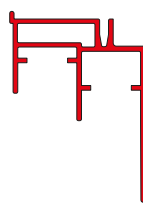



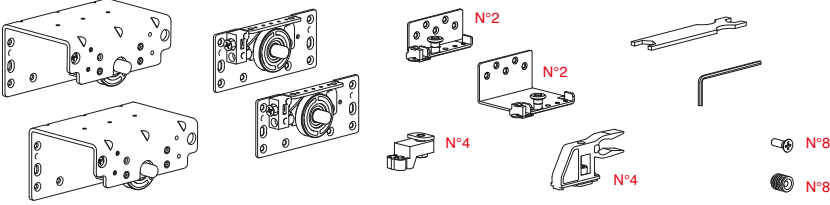
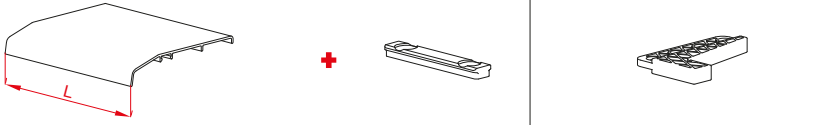
UPPER ALUMINIUM TRACKS / BINARI IN ALLUMINIO SUPERIORI			
			
ART. 2540	ART. 2550	ART. 2536	ART. 2530



LOWER ALUMINIUM TRACKS / BINARI IN ALLUMINIO INFERIORI				
				
ART. 540	ART. 550	ART. 1936	ART. 910	ART. 920





LOWER ALUMINIUM TRACKS / BINARI IN ALLUMINIO INFERIORI	
	
ART. 1952	ART. 952

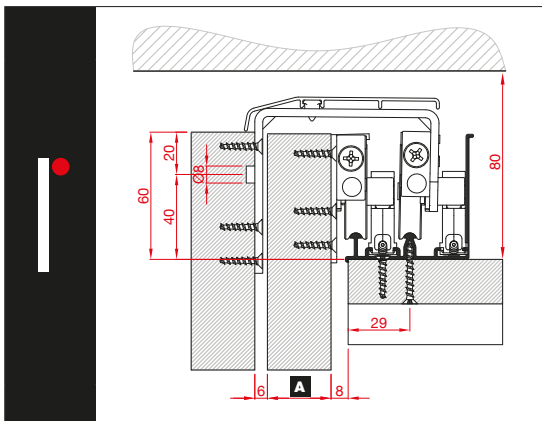
CODE		→ ←	MAX	
2542/507/2549/2		A	22 mm	60 kg
2543/506/2549/2			28 mm	60 kg
2546/497/2549/2			30 mm	60 kg
2544/511/2549/2			33 mm	60 kg
2545/501/2549/2			40 mm	60 kg
KIT				
				
OPTIONAL	ART. 2532	ART. 2221	ART. 2534	

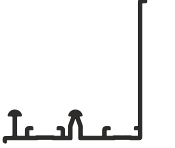
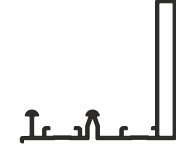

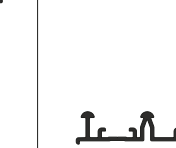
Base

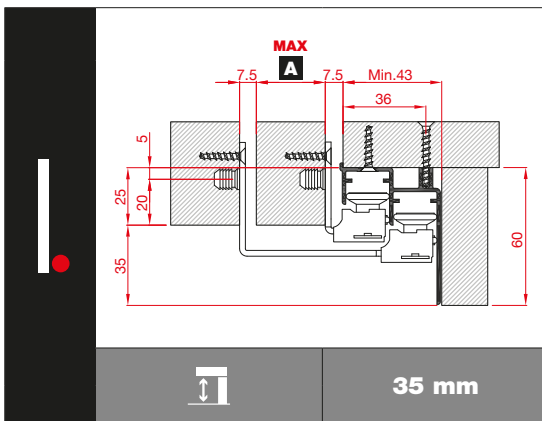
-  N.2 Doors
N.2 Ante


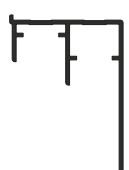

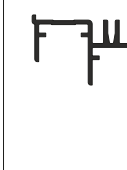

-  N.4 Classic stopper
N.4 Fermi a pinza

-  Manual guide - 1 wheel
Guida manuale - 1 ruota





UPPER ALUMINIUM TRACKS / BINARI IN ALLUMINIO SUPERIORI			
			
ART. 2540	ART. 2550	ART. 2536	ART. 2530





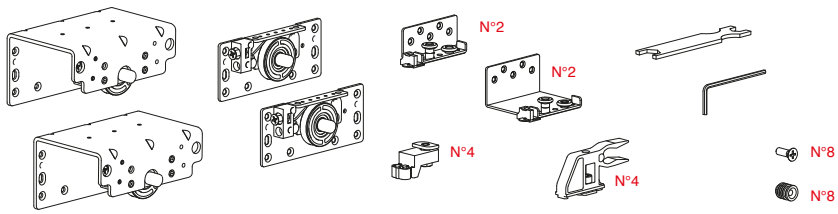
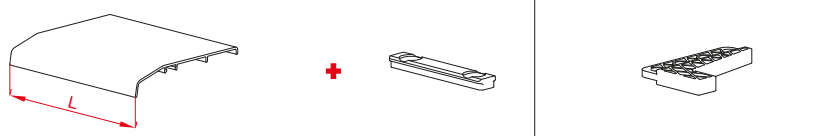
LOWER ALUMINIUM TRACKS / BINARI IN ALLUMINIO INFERIORI				
				
ART. 540	ART. 550	ART. 1936	ART. 910	ART. 920

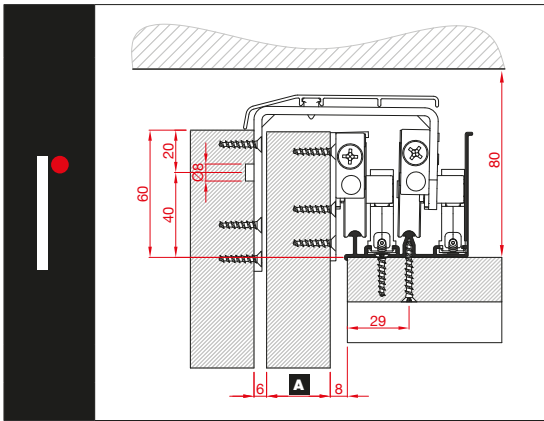
Base

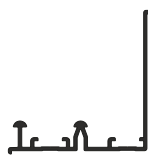
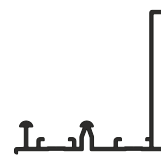
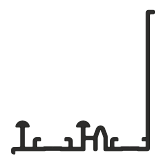
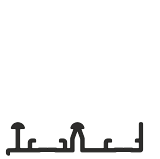

 N.2 Doors
N.2 Ante

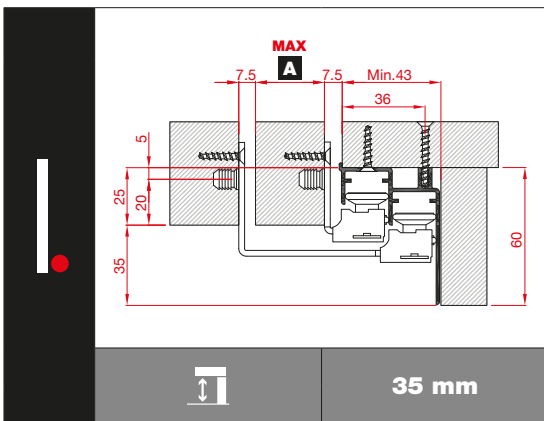
 N.4 Classic stopper
N.4 Fermi a pinza

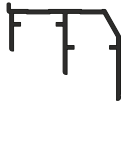
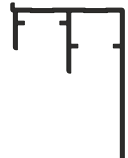
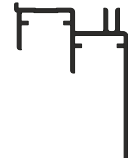




 Manual guide - 2 wheels
Guida manuale - 2 ruote


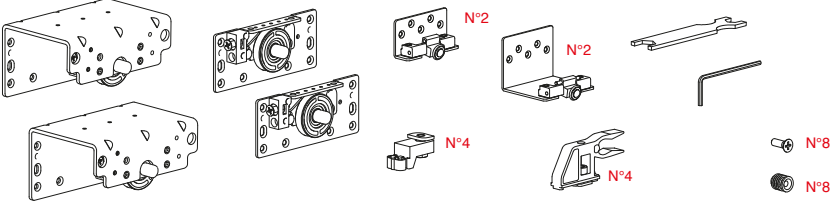
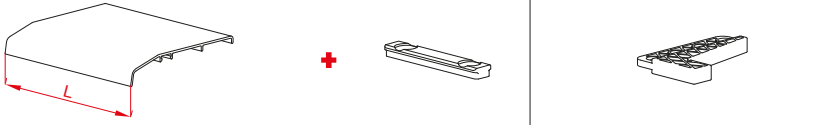
CODE	→ ←	MAX		
2542/587/2549/2	A	22 mm	60 kg	
2543/586/2549/2		28 mm	60 kg	
2546/499/2549/2		30 mm	60 kg	
2544/581/2549/2		33 mm	60 kg	
2545/597/2549/2		40 mm	60 kg	
KIT				
	OPTIONAL			
		ART. 2532	ART. 2221	ART. 2534






UPPER ALUMINIUM TRACKS / BINARI IN ALLUMINIO SUPERIORI			
			
			
ART. 2540	ART. 2550	ART. 2536	ART. 2530




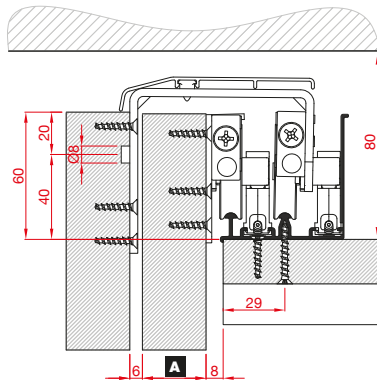
LOWER ALUMINIUM TRACKS / BINARI IN ALLUMINIO INFERIORI				
				
				
ART. 540	ART. 550	ART. 1936	ART. 910	ART. 920

CODE		→ ←	MAX	
2542/1904/2549/2		A	22 mm	60 kg
2543/1906/2549/2			28 mm	60 kg
2546/1903/2549/2			30 mm	60 kg
2544/1908/2549/2			33 mm	60 kg
2545/1905/2549/2			40 mm	60 kg
KIT				
				
OPTIONAL	ART. 2532	ART. 2221	ART. 2534	

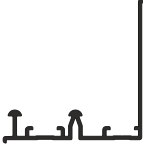
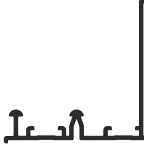
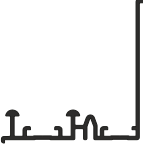
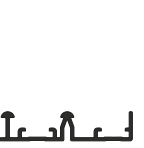

Base


-  N.2 Doors
N.2 Ante
-  N.4 Classic stopper
N.4 Fermi a pinza
-  Snap hook guide
Guida a scatto

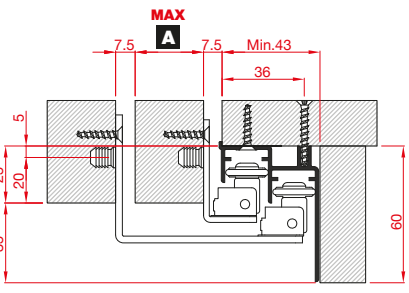




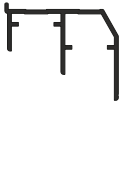

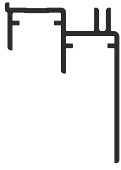

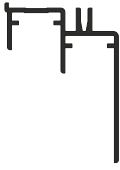


UPPER ALUMINIUM TRACKS / BINARI IN ALLUMINIO SUPERIORI


			
			
ART. 2540	ART. 2550	ART. 2536	ART. 2530

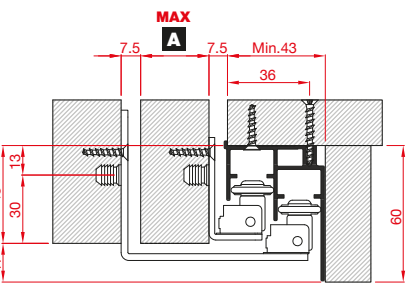




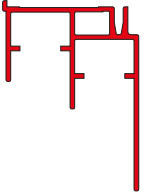
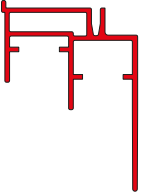

LOWER ALUMINIUM TRACKS / BINARI IN ALLUMINIO INFERIORI

				
				
ART. 540	ART. 550	ART. 1936	ART. 910	ART. 920




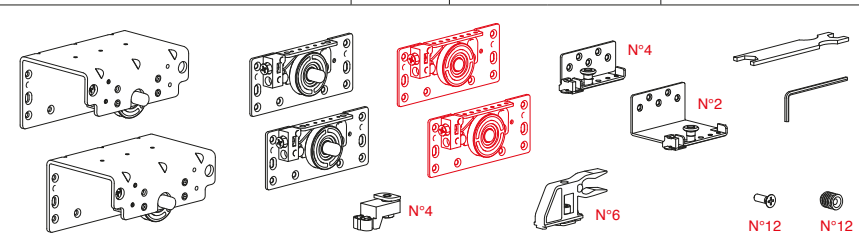
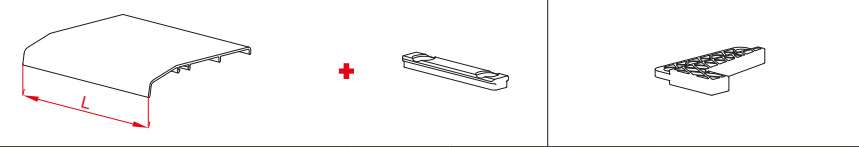


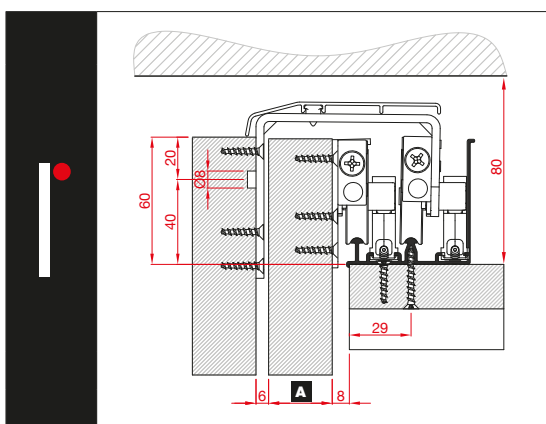
LOWER ALUMINIUM TRACKS / BINARI IN ALLUMINIO INFERIORI

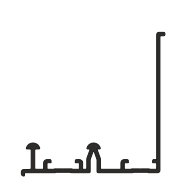
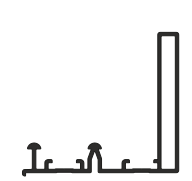
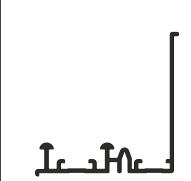
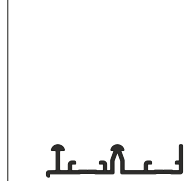
	
	
ART. 1952	ART. 952

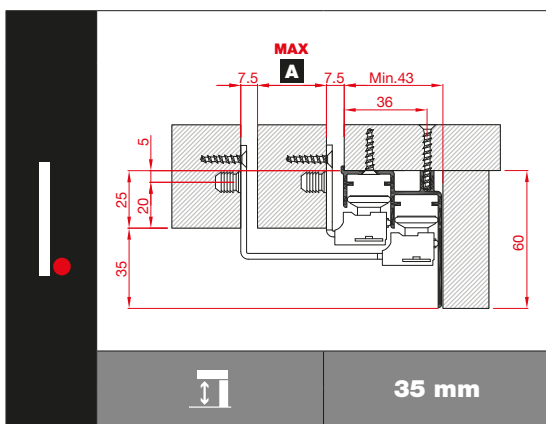
Base

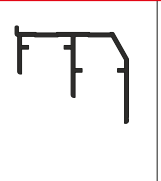
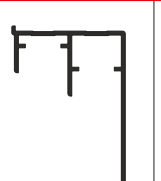
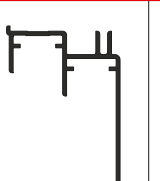
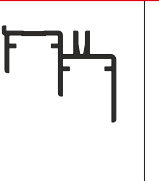
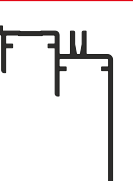
-  N.3 Doors
N.3 Ante
-  N.6 Classic stopper
N.6 Fermi a pinza
-  Manual guide - 1 wheel
Guida manuale - 1 ruota


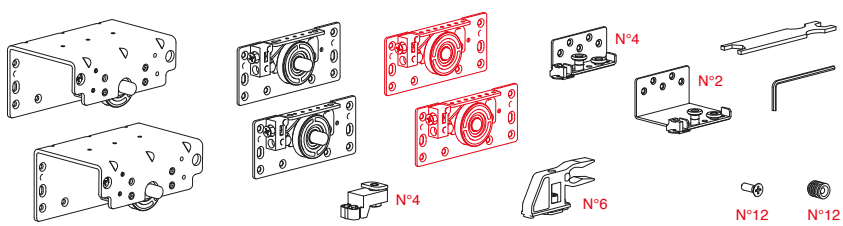
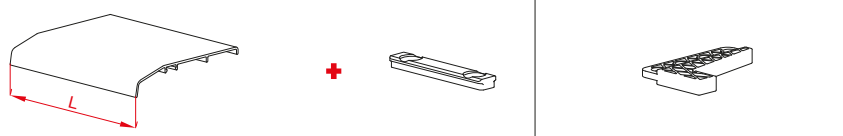
CODE	→ ←	MAX	
2542/507/2549/3	A	22 mm	60 kg
2543/506/2549/3		28 mm	60 kg
2546/497/2549/3		30 mm	60 kg
2544/511/2549/3		33 mm	60 kg
2545/501/2549/3		40 mm	60 kg
KIT			
OPTIONAL			
	ART. 2532	ART. 2221	ART. 2534




UPPER ALUMINIUM TRACKS / BINARI IN ALLUMINIO SUPERIORI			
			
ART. 2540	ART. 2550	ART. 2536	ART. 2530





LOWER ALUMINIUM TRACKS / BINARI IN ALLUMINIO INFERIORI				
				
ART. 540	ART. 550	ART. 1936	ART. 910	ART. 920

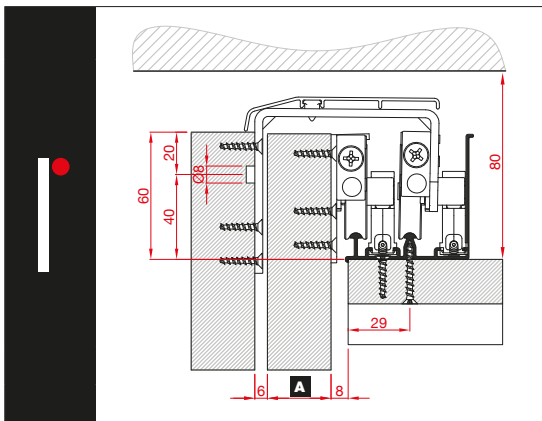
CODE	→ ←	MAX	
2542/587/2549/3	A	22 mm	60 kg
2543/586/2549/3		28 mm	60 kg
2546/499/2549/3		30 mm	60 kg
2544/581/2549/3		33 mm	60 kg
2545/597/2549/3		40 mm	60 kg
KIT			
			
OPTIONAL	ART. 2532	ART. 2221	ART. 2534

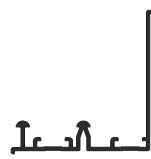
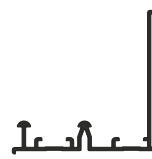
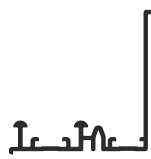
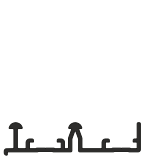
Base

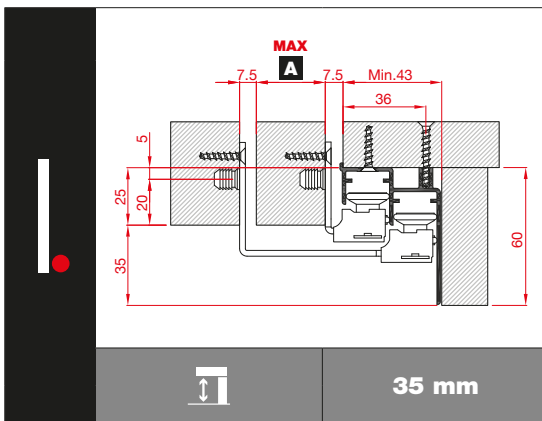
-  N.3 Doors
N.3 Ante



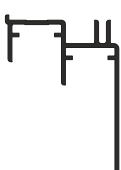

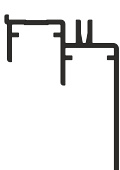
-  N.6 Classic stopper
N.6 Fermi a pinza

-  Manual guide - 2 wheels
Guida manuale - 2 ruote





UPPER ALUMINIUM TRACKS / BINARI IN ALLUMINIO SUPERIORI			
			
ART. 2540	ART. 2550	ART. 2536	ART. 2530





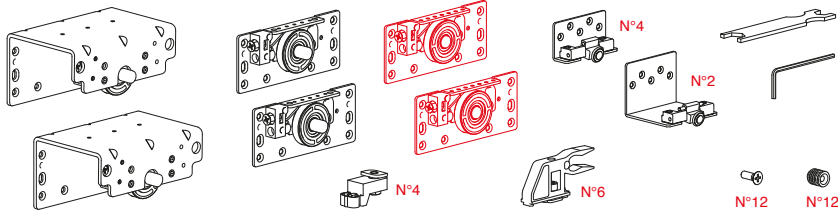
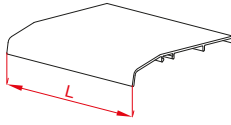


LOWER ALUMINIUM TRACKS / BINARI IN ALLUMINIO INFERIORI				
				
ART. 540	ART. 550	ART. 1936	ART. 910	ART. 920

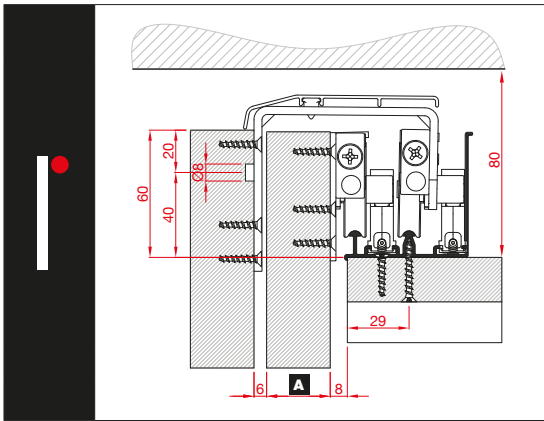
Base

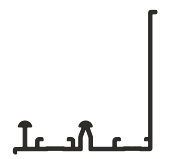
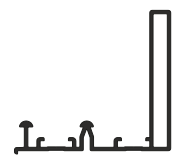
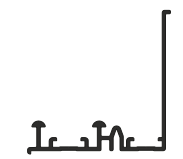
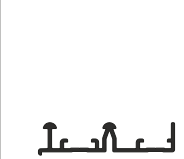
 N.3 Doors
N.3 Ante

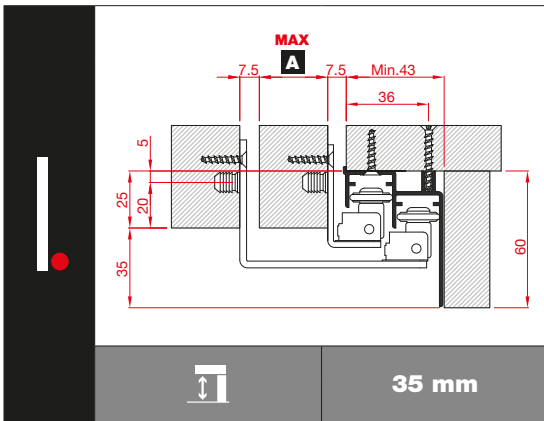
 N.6 Classic stopper
N.6 Fermi a pinza


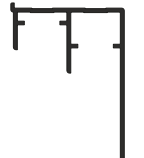
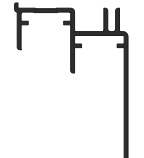
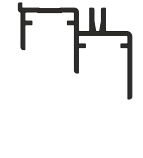
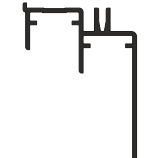
 Snap hook guide
Guida a scatto

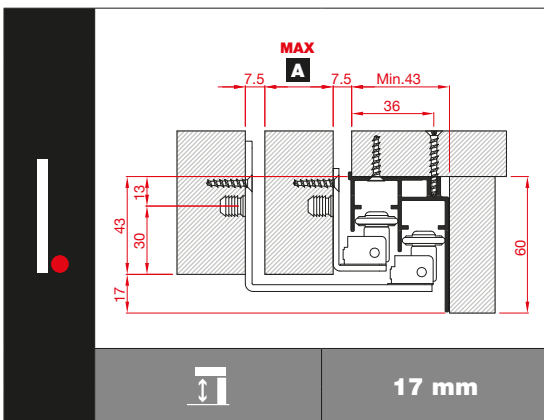
CODE	→ ←	MAX	
2542/1904/2549/3	A	22 mm	60 kg
2543/1906/2549/3		28 mm	60 kg
2546/1903/2549/3		30 mm	60 kg
2544/1908/2549/3		33 mm	60 kg
2545/1905/2549/3		40 mm	60 kg
KIT			
	OPTIONAL		
		+	
	ART. 2532		ART. 2221
			
			ART. 2534

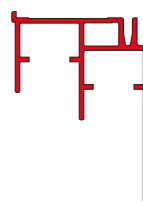
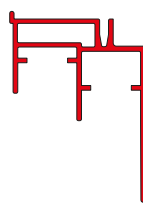


UPPER ALUMINIUM TRACKS / BINARI IN ALLUMINIO SUPERIORI			
			
ART. 2540	ART. 2550	ART. 2536	ART. 2530



LOWER ALUMINIUM TRACKS / BINARI IN ALLUMINIO INFERIORI				
				
ART. 540	ART. 550	ART. 1936	ART. 910	ART. 920

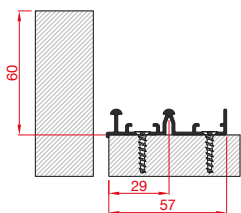


LOWER ALUMINIUM TRACKS / BINARI IN ALLUMINIO INFERIORI	
	
ART. 1952	ART. 952

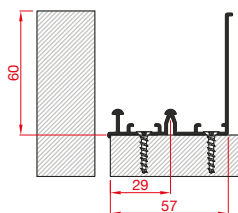
**CLAMPING SYSTEM WITH PUNCHED TRACKS
 SISTEMA DI FISSAGGIO CON BINARI FORATI**

 N.2 Doors
 N.2 Ante

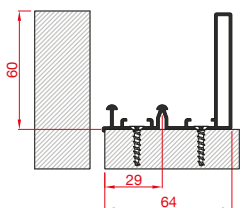
 N.3 Doors
 N.3 Ante



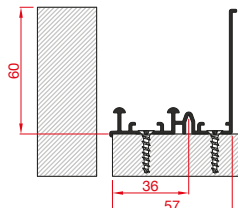
ART. 2530



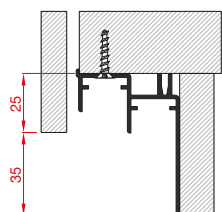
ART. 2540



ART. 2550

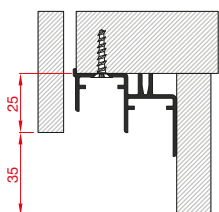


ART. 2536



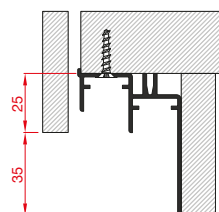
35 mm

ART. 1936



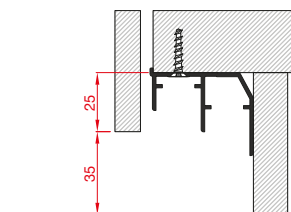
35 mm

ART. 910



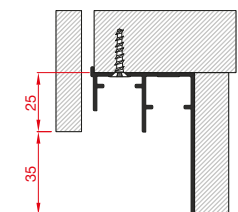
35 mm

ART. 920



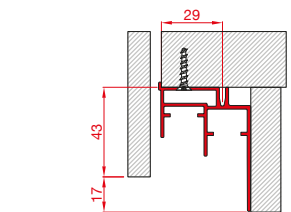
35 mm

ART. 540



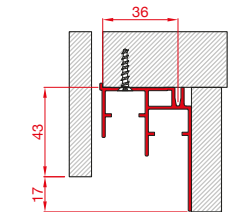
35 mm

ART. 550



17 mm

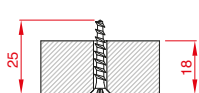
ART. 952



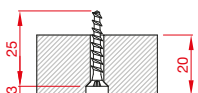
17 mm

ART. 1952

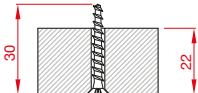
SCREW / VITE



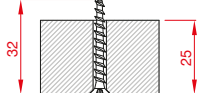
Ø 3,9x25



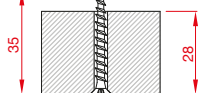
Ø 3,9x25



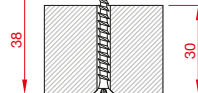
Ø 4,0x30




Ø 3,9x32




Ø 4,0x35

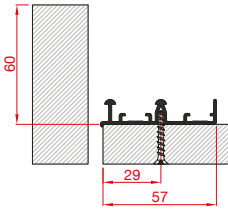
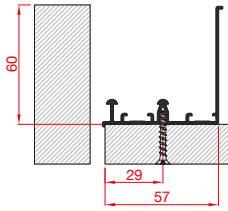
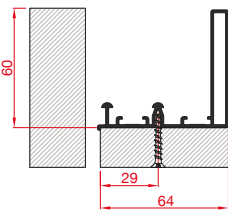
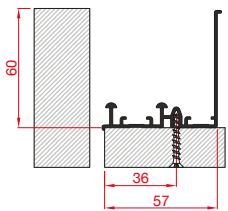
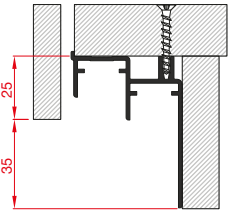
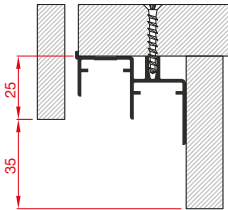
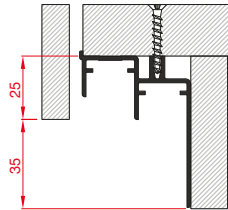



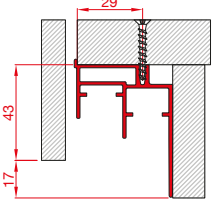
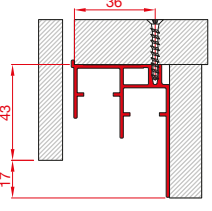




Ø 3,9x38

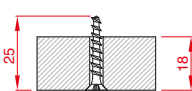
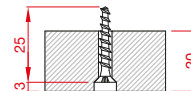

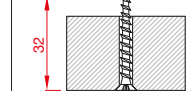
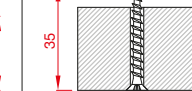
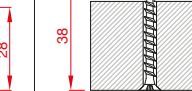
 Modular systems - N.2 Doors
 Sistemi modulari - N.2 Ante

 Modular systems - N.3 Doors
 Sistemi modulari - N.3 Ante

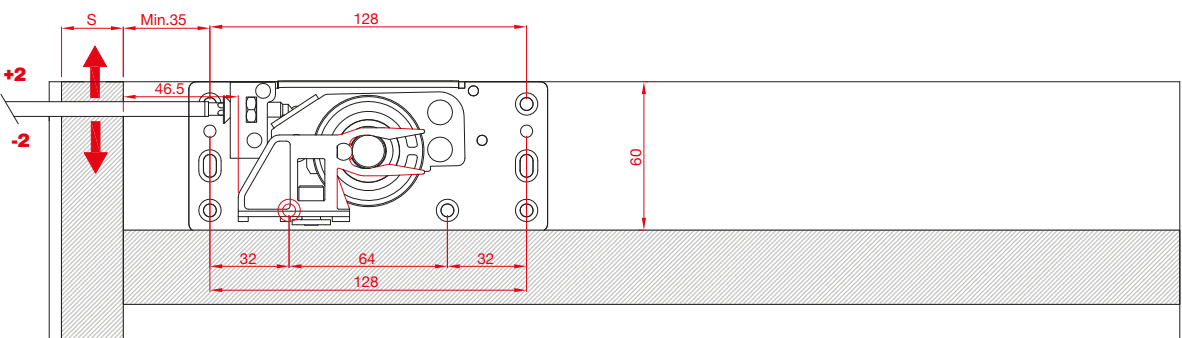
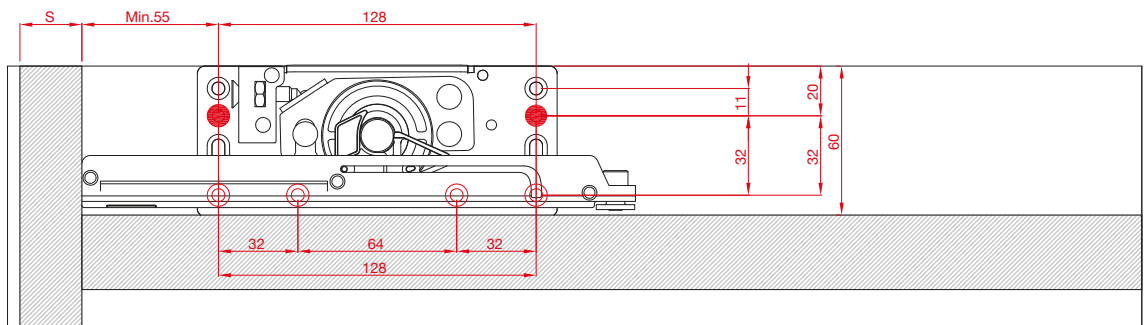
**CLAMPING SYSTEM WITH TRACKS FOR MODULAR FURNITURE
 SISTEMA DI FISSAGGIO BINARI PER MOBILI COMPONENTI**

		
ART. 2530	ART. 2540	
		
ART. 2550	ART. 2536	
		
 35 mm	 35 mm	 35 mm
ART. 1936	ART. 910	ART. 920
		
 17 mm		 17 mm
ART. 952		ART. 1952

SCREW / VITE

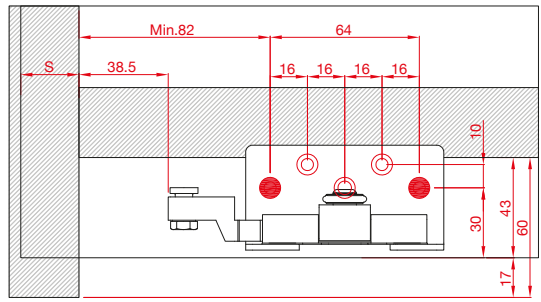
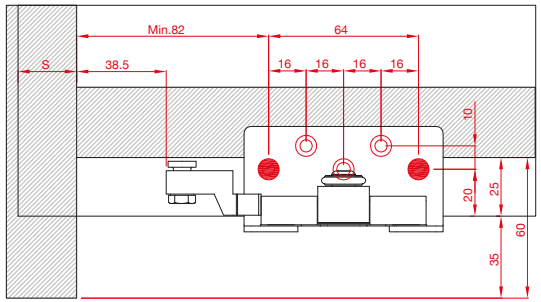
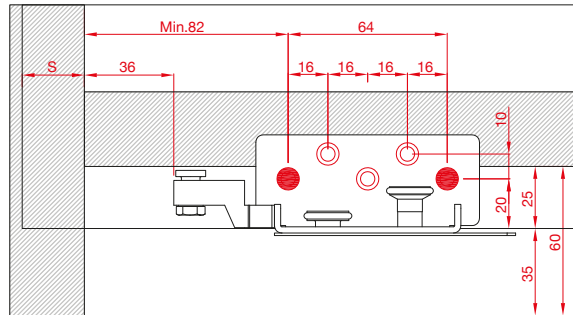
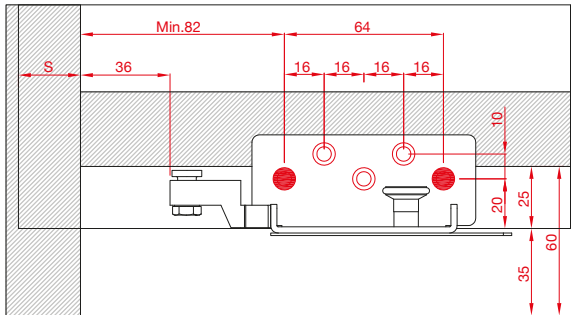
					
Ø 3,9x25	Ø 3,9x25	Ø 4,0x30	Ø 3,9x32	Ø 4,0x35	Ø 3,9x38

SIZE DESCRIPTION / DESCRIZIONE MISURE



S = OVERLAP SIDE DOOR / S = SORMONTO ANTA SU FIANCO

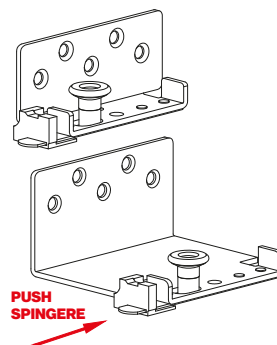
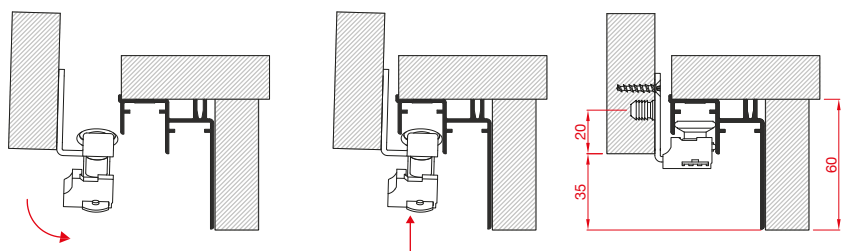
SIZE DESCRIPTION / DESCRIZIONE MISURE



S = OVERLAP SIDE DOOR / S = SORMONTO ANTA SU FIANCO

DESCRIPTION OF LOWER GUIDES / DESCRIZIONE GUIDE INFERIORI

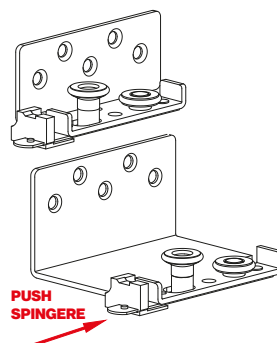
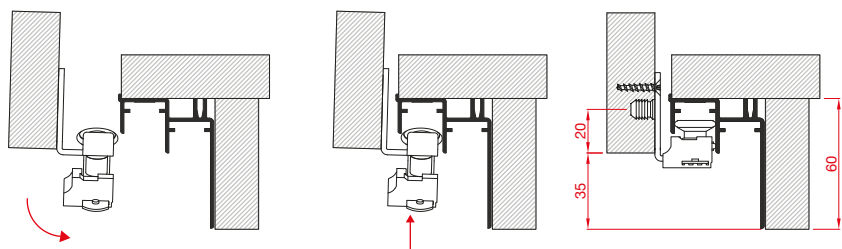
F1



ART. 512

35 mm - MANUAL GUIDE WITH 1 WHEEL / 35 mm - GUIDA MANUALE CON 1 RUOTA

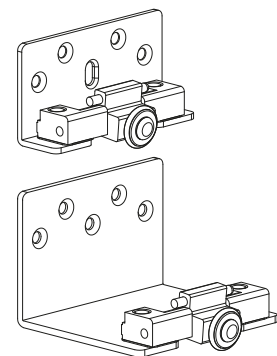
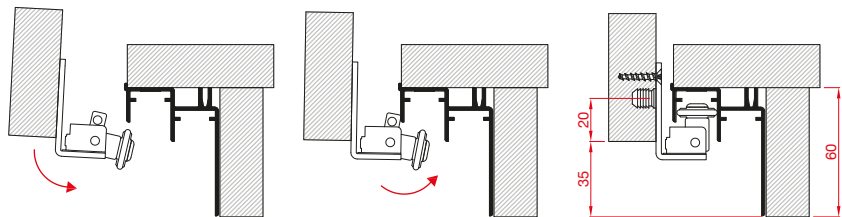
F1



ART. 582

35 mm - MANUAL GUIDE WITH 2 WHEELS / 35 mm - GUIDA MANUALE CON 2 RUOTE

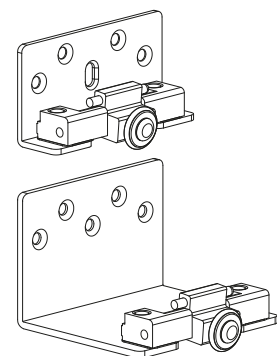
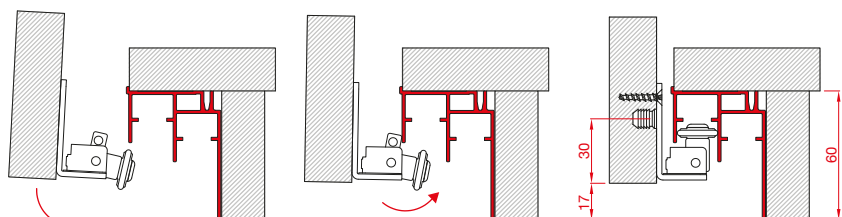
F1



ART. 1902/N (35 mm)

35 mm - SNAP HOOK GUIDE / 35 mm - GUIDA A SCATTO

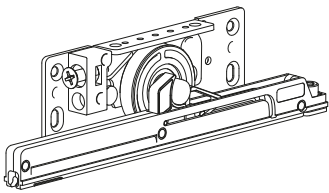
F1



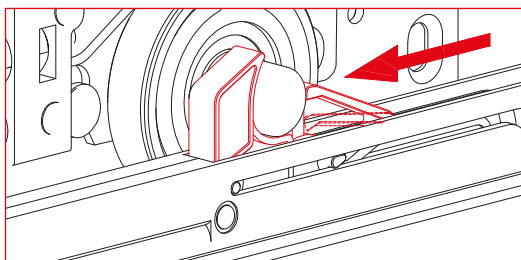
ART. 1902/N (17 mm)

17 mm - SNAP HOOK GUIDE / 17 mm - GUIDA A SCATTO

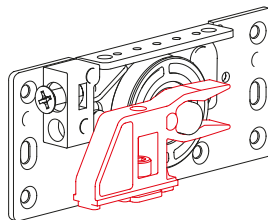
DAMPER / AMMORTIZZATORE



**AUTOMATICALLY LOADING
 OF SOFT CLOSING SYSTEM
 L'AMMORTIZZATORE
 SI CARICA AUTOMATICAMENTE**

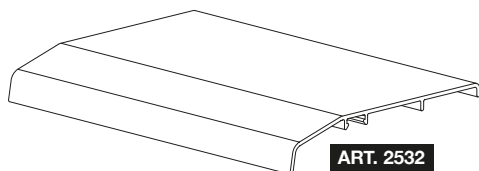


SOFT CLOSING / FERMO AMMORTIZZATO

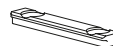


CLASSIC STOPPER / FERMO A PINZA

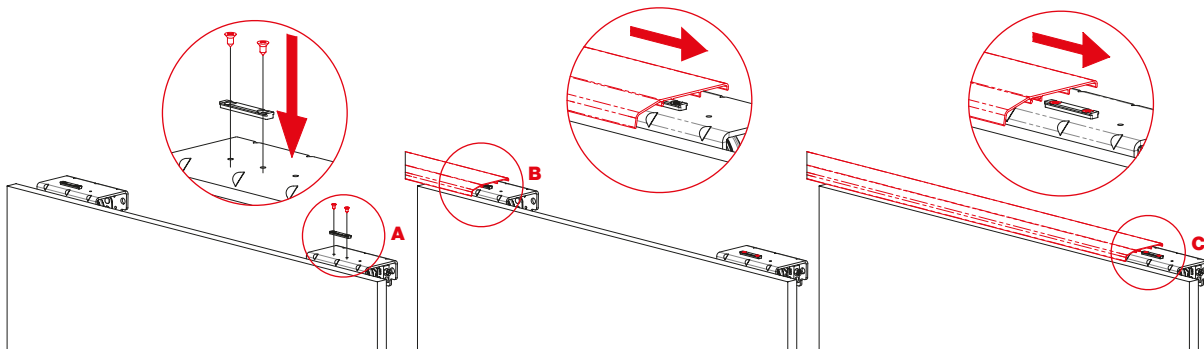
EXTRUDED COVER / COPERTURA ESTRUSA



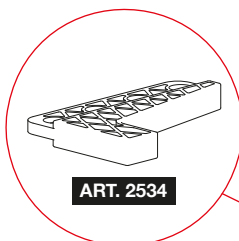
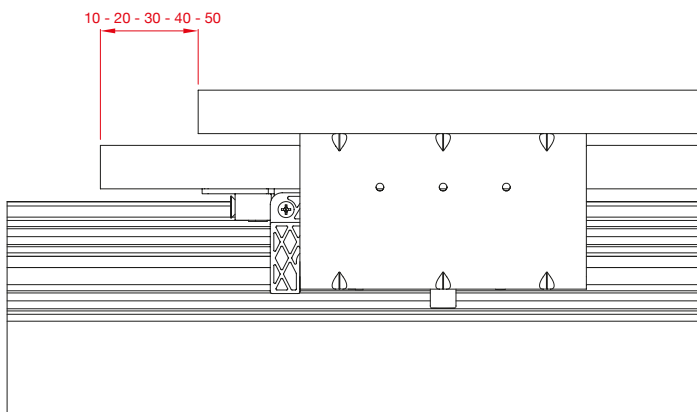
ART. 2532



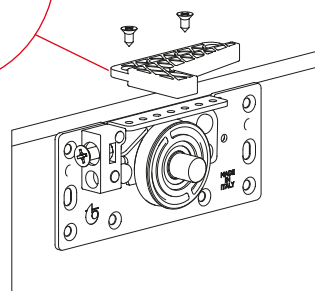
ART. 2221





HANDLE PROTECTION / SALVAMANIGLIA

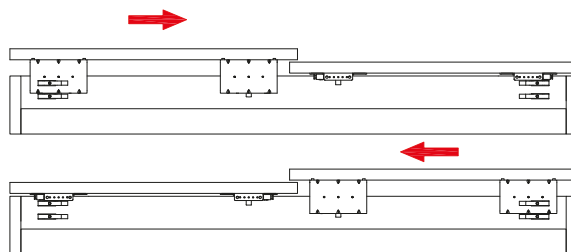



ART. 2534




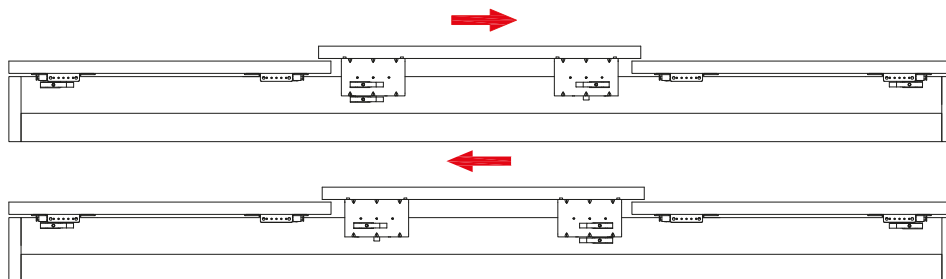
 N. 2 Doors
 N. 2 Ante


 N. 4 Classic stopper
 opening and closing
 N. 4 Fermi a pinza
 apertura e chiusura



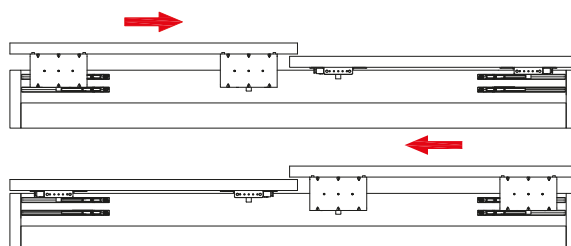
 N. 3 Doors
 N. 3 Ante


 N. 6 Classic stopper
 opening and closing
 N. 6 Fermi a pinza
 apertura e chiusura



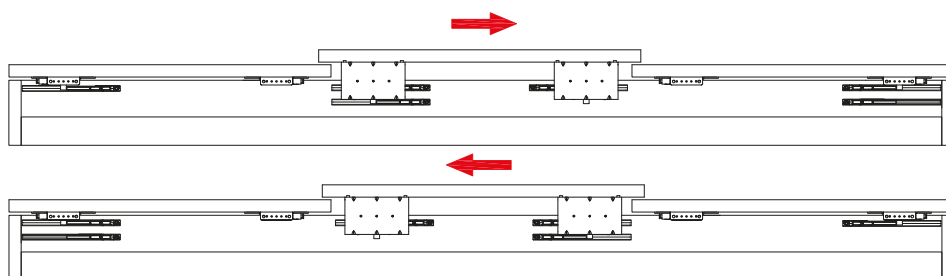
 N. 2 Doors
 N. 2 Ante

 N. 4 Soft closings
 opening and closing
 N. 4 Fermi ammortizzati
 apertura e chiusura



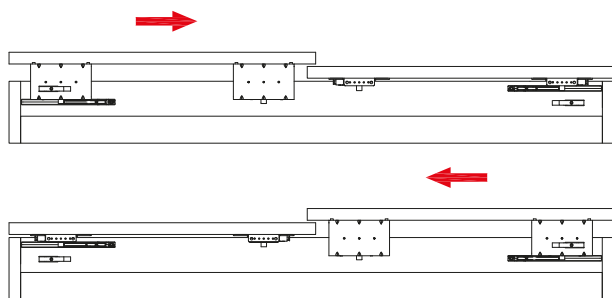
 N. 3 Doors
 N. 3 Ante


 N. 6 Soft closings
 N. 6 Fermi ammortizzati




Optional kit – closing position / Kit optional - posizione fermi
 Kit sur demande – position fermais / Personalisiertes Set – Türschließer Kit
 bajo pedido – posición cerrojos

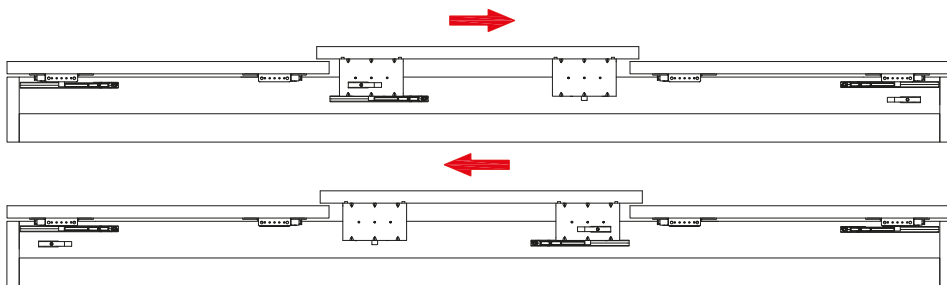
Base




 N. 2 Doors
 N. 2 Ante

 N. 2 Soft closings
 closing
 N. 2 Fermi ammortizzati
 chiusura

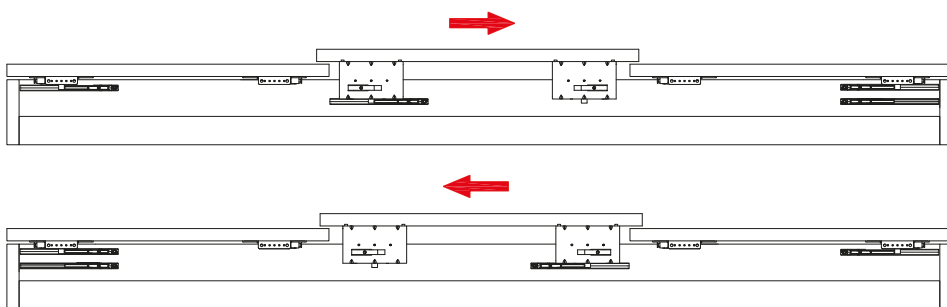
 N. 2 Classic stopper
 opening
 N. 2 Fermi a pinza
 apertura




 N. 3 Doors
 N. 3 Ante


 N. 3 Soft closings
 closing
 N. 3 Fermi ammortizzati
 chiusura


 N. 3 Classic stopper
 opening
 N. 3 Fermi a pinza
 apertura



 N. 3 Doors
 N. 3 Ante

INTERNAL DOORS / ANTA INTERNA

 Soft closing
 closing
 Fermi ammortizzati
 chiusura

 Classic stopper
 opening
 Fermi a pinza
 apertura

EXTERNAL DOORS / ANTA ESTERNA

 Soft closing
 opening and closing
 Fermi ammortizzati
 apertura e chiusura



www.ternoscorrevoli.com/base