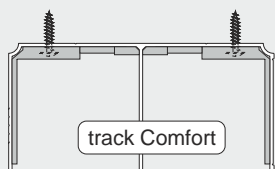
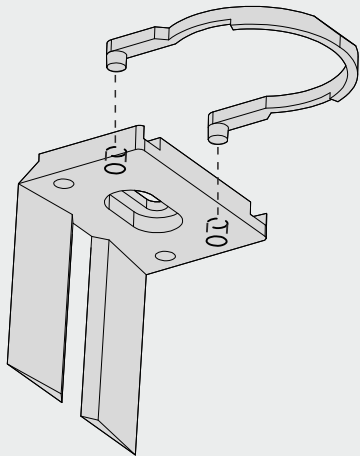
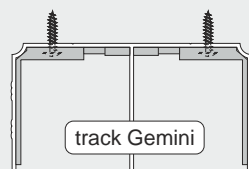
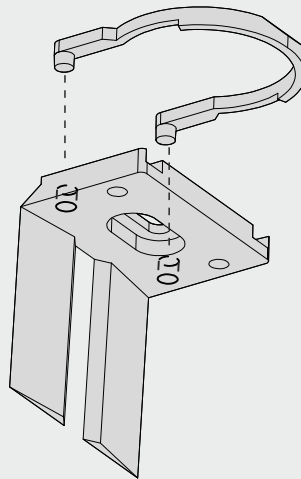


Method of fitting positioner FIX

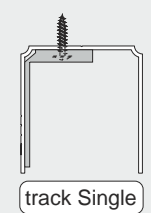
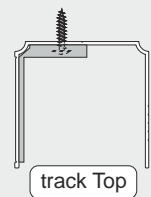
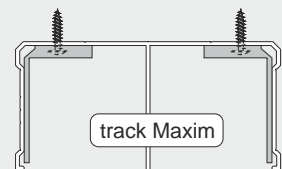
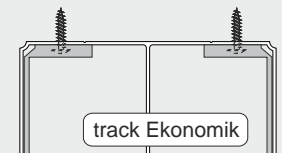
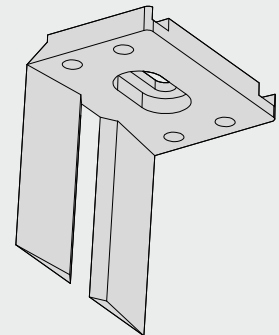
with systems
**COMFORT 10,
COMFORT 18**



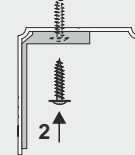
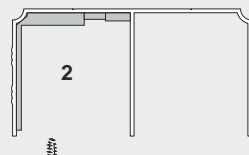
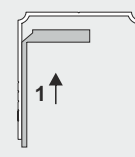
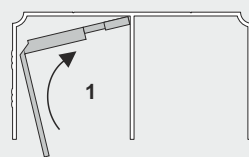
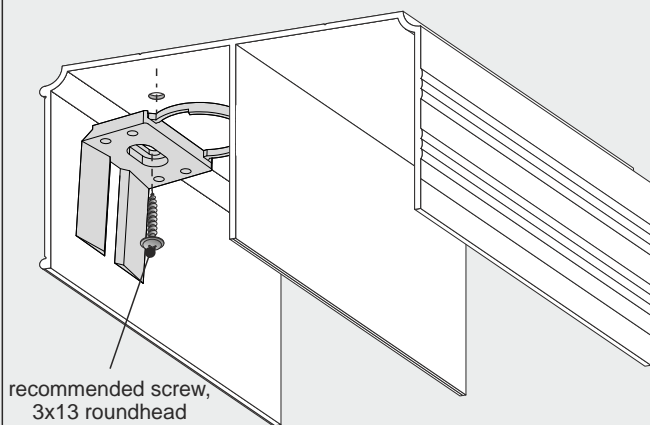
with systems
**GEMINI 4, GEMINI 10,
GEMINI 18**



with systems
**MAXIM 18, SINGLE 10,
TOP 10, TOP 18,
EKONOMIK**



Installation of positioner in top track



COMPONENTS

Top guide positioner FIX

