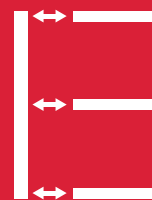


SPIRAL LOCK



CONNECTINGS



SYMBOLS AND FINISHES LEGEND

SYMBOLS



= SHELF SAFELY LOCKED DURING TRANSPORTATION AND AT HOME.



= ANTI-TURNOVER LOCKING SYSTEM



= NORMS / PATENTS



= PHILLIPS / POZIDRIV



= NEWTON



= PART.NO



= HEXAGONAL SOCKET



= FRICTION



= PCS. PER PACKAGE



= BLADE SLOT



= AUTOMATIC



= COMBI SLOT



= DROP DOWN



= CAPACITY LOADING



= COUNTERSUNK HEAD



= WOOD / GLASS THICKNESS



= PAN HEAD



= STANDARD HINGE



= HOLE DIAMETER



= FLANGE HEAD



= KIMANA HINGE



= DIAMETER



= FLAT HEAD



= FLAP HINGE



= LENGTH



= TRILOBULAR SCREW



= WITH SPRING



= HEIGHT



= SELF-TAPPING SCREW



= WITHOUT SPRING



= RIGHT VERSION



= EURO THREAD



= REVERSED SPRING



= LEFT VERSION



= METRIC THREAD



= SETTING CODE



= PRE-INSERTED SCREW



= FOR ROUND TUBE



= PCS. PER PAD



= PRE-INSERTED SCREW AND SPREADING BUSH



= FOR OVAL TUBE



= CUT ON REQUEST



= WITH BUFFER



= SELF ADHESIVE



= WITH MAGNET



= WITH FLANGE

NOTE: Printing errors and omissions may exist despite our best efforts to ensure accuracy. We reserve the right to alter specifications without notice.

MATERIALS

ZA = Zinc Alloy	ST = Steel	HSS = High Speed Steel	BR = Brass	ABS = Acrylonitrile Butadiene Styrene
ZAnk = Nickel-plated Zinc Alloy	STzk = Zinc-plated Steel	AL = Aluminium	WD = Wood	EVA = Ethylene Vinyl Acetate

EP = **ENGINEERING PLASTIC**

+ EP = other engineering plastic available on request

SR = **SOFT RUBBER**

+ SR = other soft rubber available on request

EPn = Natural Engineering Plastic	EPc = Clear Engineering Plastic	SRn = Natural Soft Rubber
EPw = White Engineering Plastic	EPg = Grey Engineering Plastic	SRw = White Soft Rubber
EPwg = Water Green Engineering Plastic		SRb = Black Soft Rubber



FINISHES



+ = OTHER FINISHES AVAILABLE ON REQUEST

PART. NO	FINISHES	PART. NO	FINISHES	PART. NO	FINISHES
AA	Natural	JB	Bright Aluminium	QB	Walnut
AB	White	JC	Aluminium - Chrome	RO	Red
AC	Opal White	JD	Matt Aluminium	UZ	T -Met
AE	White 9010	JE	Satin-finished Aluminium	WA	Bronzed
AK	Champagne	JF	Aluminium - Brass	WI	Burnished
AL	Ivory	JG	Aluminium 5	XD	Satin-finished Steel
EA	Black	JL	Aluminium PE 11	YA	Nickel-plated
EB	Glossy Black	JM	Aluminium RAL 9006	YB	Bright Nickel-plated
EC	Matt Black	KA	Chrome	YC	Matt Nickel-plated
EE	Anthracite	KB	Bright Chrome	YD	Satin-finished Nickel-plated
FU	Gunmetal	KC	Matt Chrome	ZA	Zinc alloy
GR	Raw	MA	Brown	ZN	Zinc-plated
HA	Brass-Plated	MB	Light Brown 1	ZQ	Bright Gold
HH	Tropicalized	NN	Metallic Beige	ZY	Titanium
HL	Raw Brass	NO	Beige	ZZ	Clear
IA	Grey	OA	Oak	00	Insignificant finish
IB	Metallic Grey	OZ	Ash		
IF	Middle Grey	PA	Light Ash		
IJ	Light Grey	PZ	Beech		
IL	Grey 20	QA	Maple		

SPIRAL LOCK

SPIRAL LOCK is the new connecting fitting, strong and with a very long fastening travel, especially conceived to join bed sides and panels.

Consisting of a threaded M8 dowel and of a cylindric joint, **SPIRAL LOCK** guarantees a strong fastening function without damaging the housing into the panel. This is made possible by the particular plastic cap which features the cylindric joint, thus maximising the resistance. An inner anti-rotating device guarantees the steadiness of the joint and therefore its extremely long efficiency.

SPIRAL LOCK can be mounted on relatively thin panels, with a minimum thickness of 19mm. The locking function can be carried out with an exagonal S6 key or even faster with a cordless screwdriver. The fastening travel is minimum 5 mm.

SPIRAL LOCK is also conceived for installation through automatic machinery.

Zinc-plated steel, zinc alloy, engineering plastic.



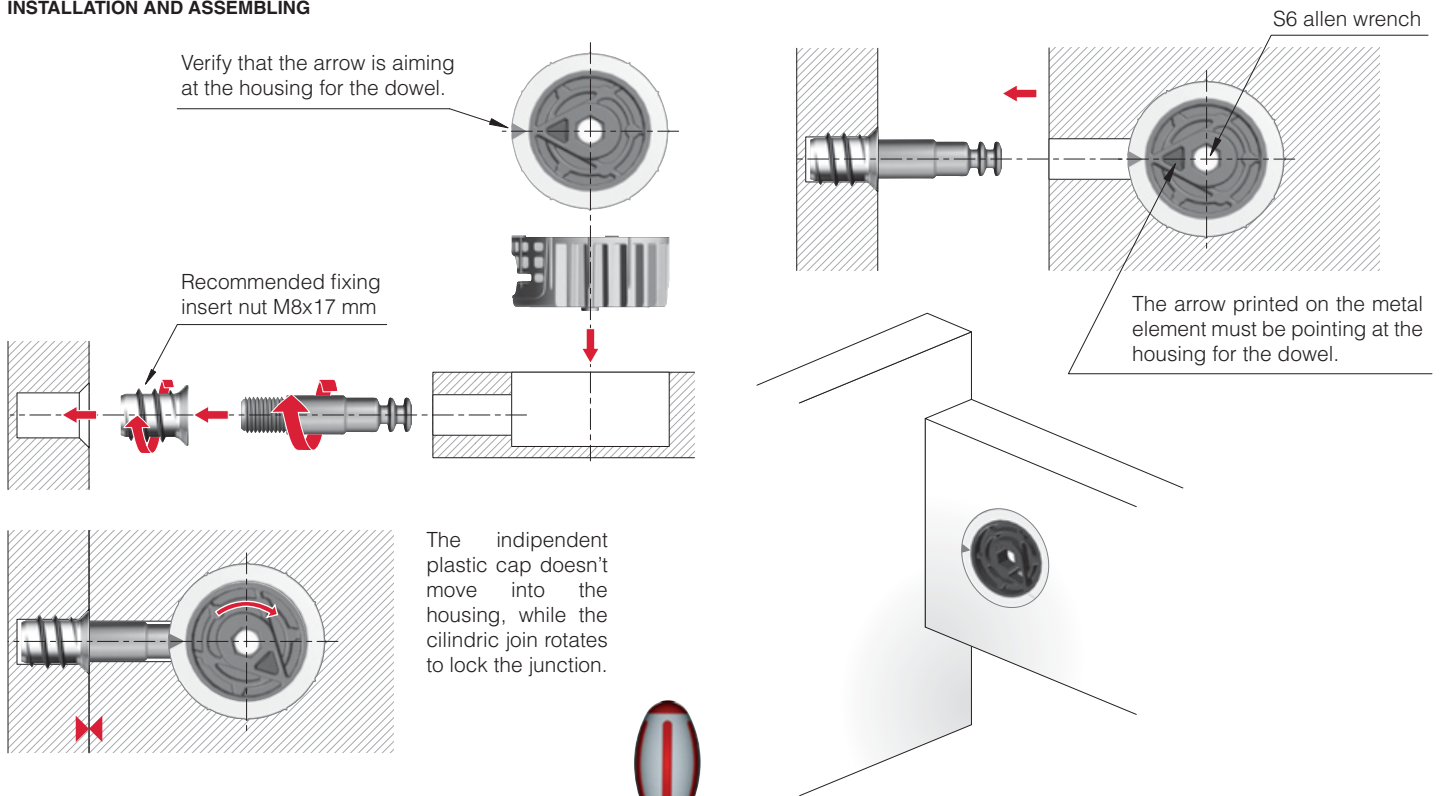
19 mm min.



Tested in accordance with CATAS procedures.

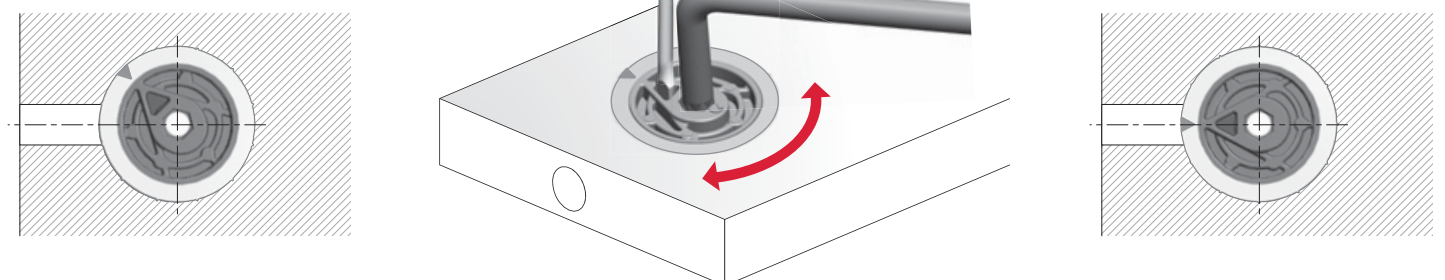


INSTALLATION AND ASSEMBLING



SOLUTION TO A WRONG INSERTMENT

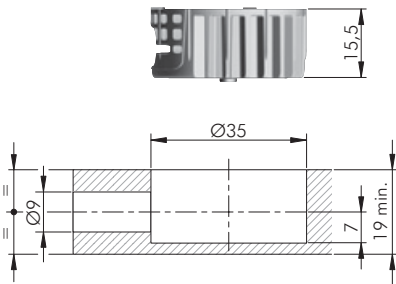
THE ARROW ON THE METAL ELEMENT IS NOT ALIGNED WITH THE HOUSING FOR THE DOWEL



Rotate the connecting fitting with a S6 hexagonal key until the metal arrow and its matching point on the plastic cap are aligned.

Insert a nail or the tip of a screwdriver into the triangular socket in the metal element and rotate the connecting fitting with an hexagonal S6 key, while keeping the screwdriver firmly in position.

Rotate the connection fitting until the arrow printed on the plastic cap is aligned with housing for the dowel.

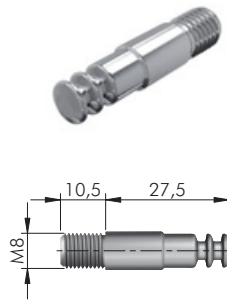
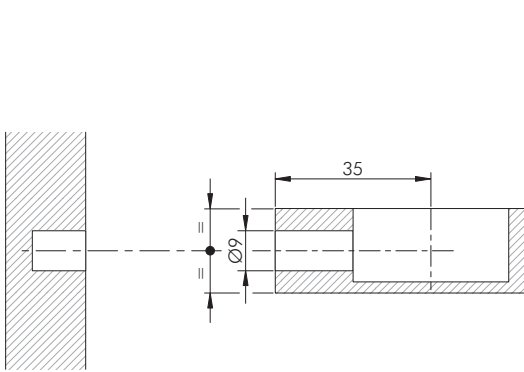


= 19 mm min.
 = S6

 = 500 pcs.

123

 2162402000

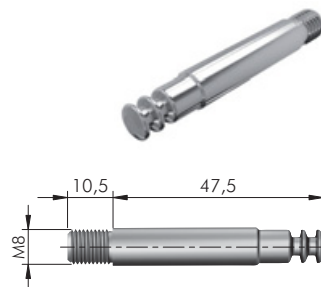
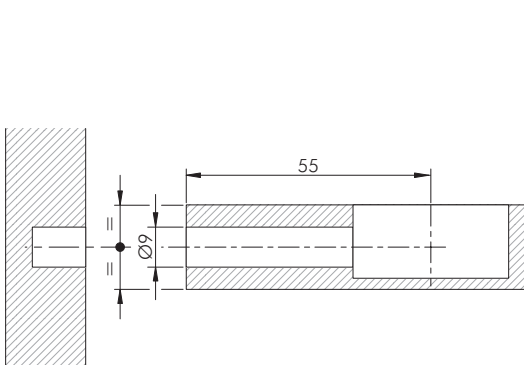


= M8

 = 1000 pcs.

123

 21624030ZN

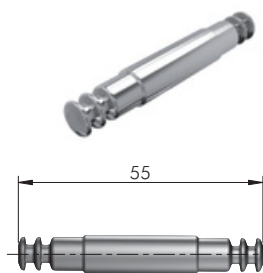
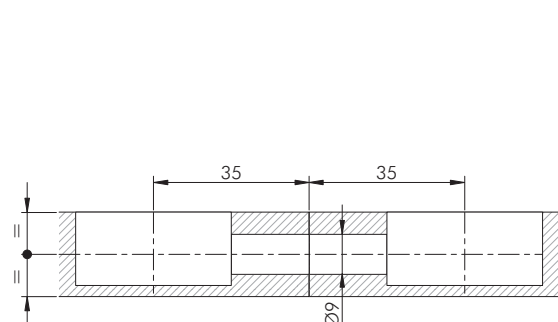


= M8

 = 600 pcs.

123

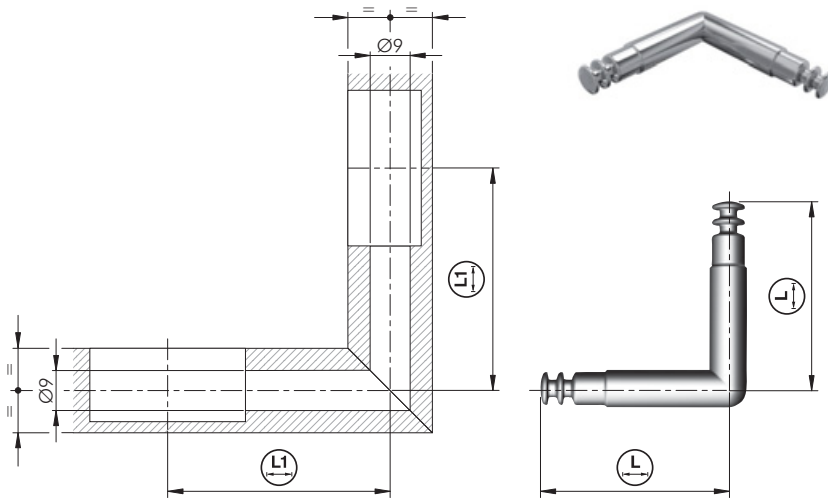
 21624050ZN



 = 1000 pcs.

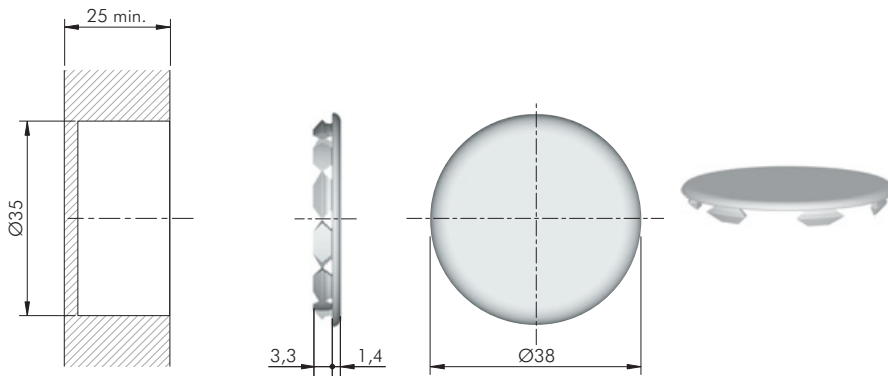
123

 21624070ZN



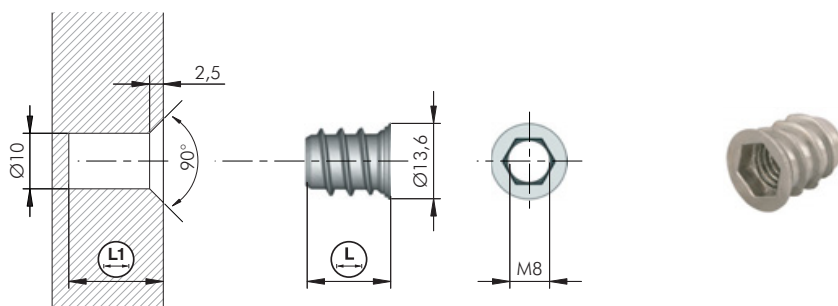
ST				
	21624080ZN	42,5	50	400
	21624090ZN	62,5	70	200

SPIRAL LOCK ACCESSORY



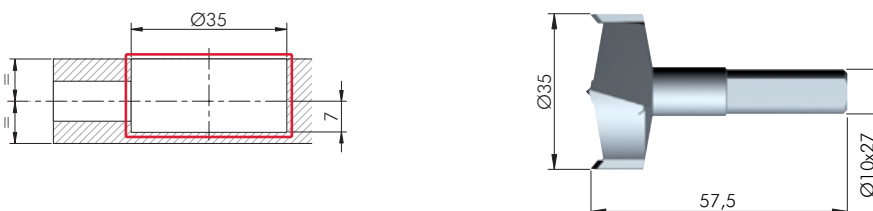
	= Ø 35 mm	
EP		= 5000 pcs.
	23011010AB	

SPIRAL LOCK FIXING ACCESSORY

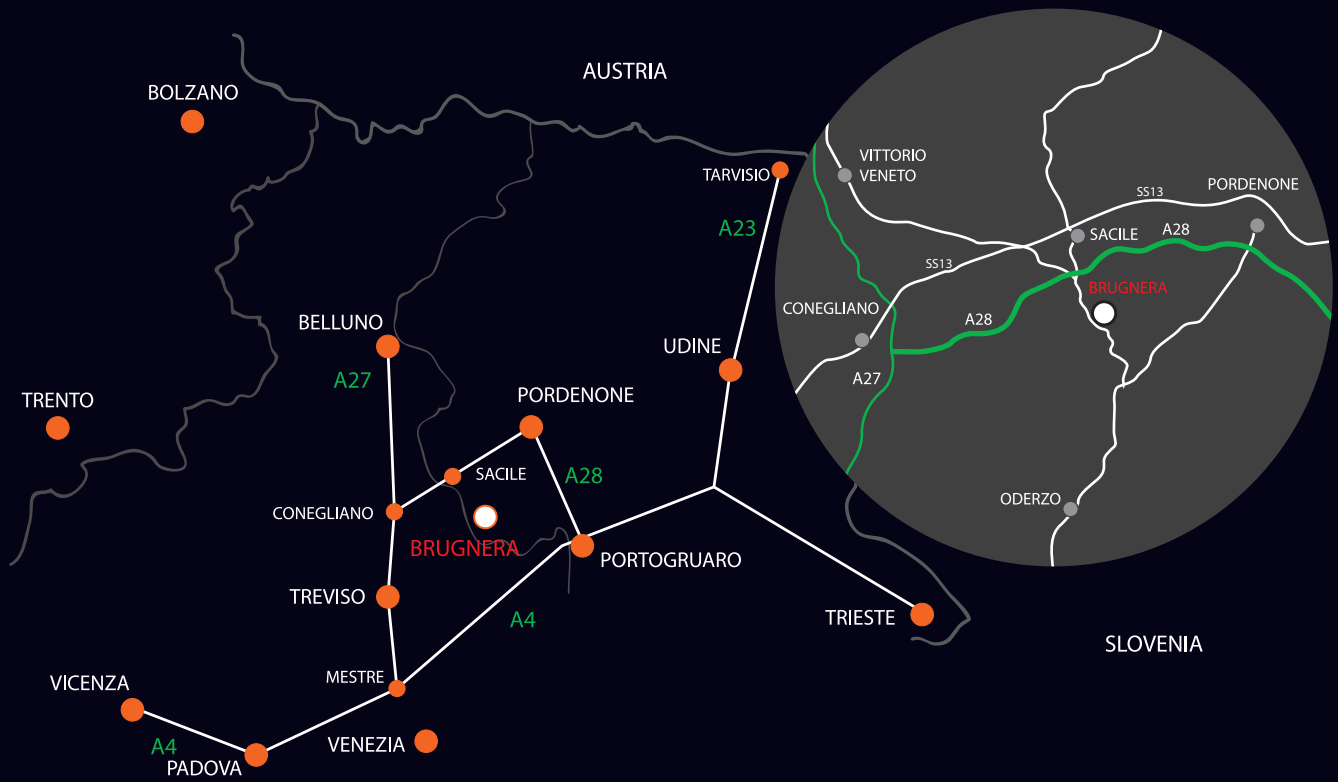


	= Ø 10 mm		= M8	
			= S8	
ZA				
	20103010GR			
		15	17	6000

DRILL BIT FOR SPIRAL LOCK



HSS		= on request
	3175201000	



www.italianaferramenta.com