



SECRET MAXI FOR 25 mm SHELF MIN.

SECRET is the new hidden shelf support by Italiana Ferramenta, the only one that guarantees both the shelf locking and unlocking. The shelf support **SECRET** is completely hidden, even when used on bifacial furniture. The hanging system provides a structural junction between the shelf and the side panel, thus making **SECRET** suitable even for constructions with flap and drop-down doors. When flap and drop-down doors are required, the shelf can be fully locked by using an exagonal key S 2,5. The hole for the shelf locking can be drilled on either the upper or the lower side of the shelf. **SECRET** allows the customer to fix and remove the shelves in an easy and intuitive way. The furniture processing doesn't require any milling; simply drillings.

SECRET MAXI can be used on shelves 25mm minimum thick.

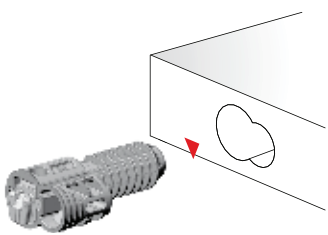
PAT. PENDING



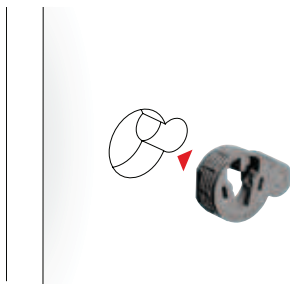
PAT. PENDING

INSTALLATION AND ASSEMBLING

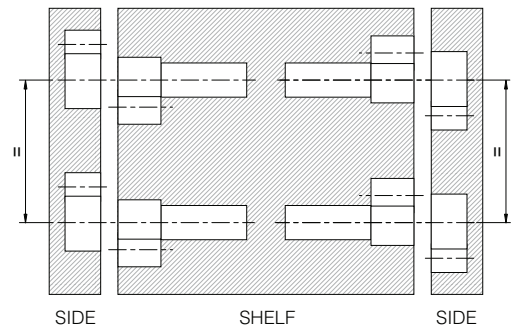
SHELF SUPPORT INSERTION ON THE SHELF



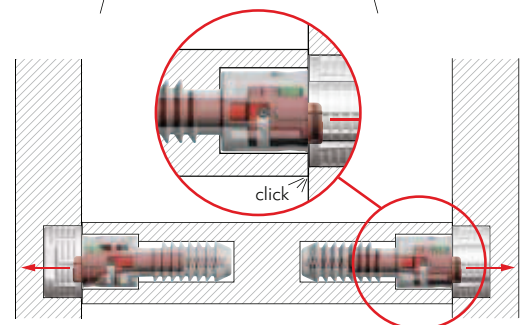
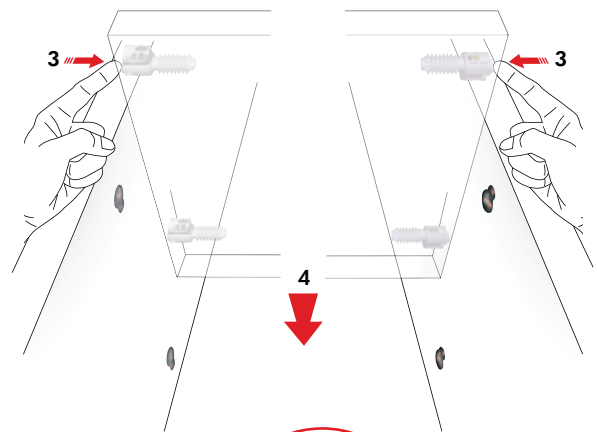
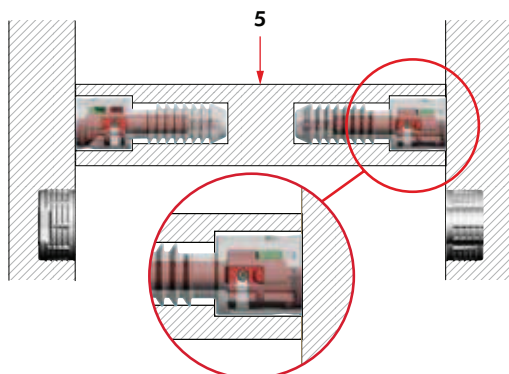
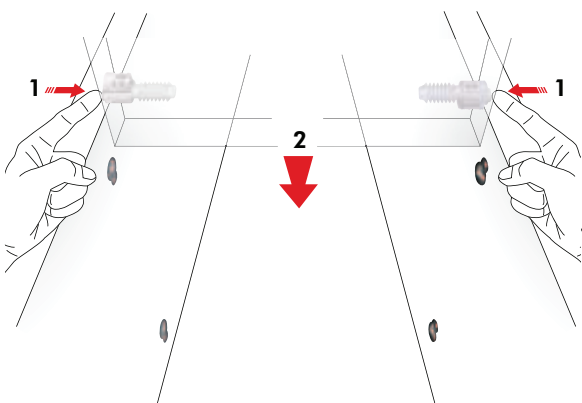
SIDE BUSH INSERTION



ALIGNMENT SHELF SUPPORT AND SIDE BUSH



SHELF PLACEMENT



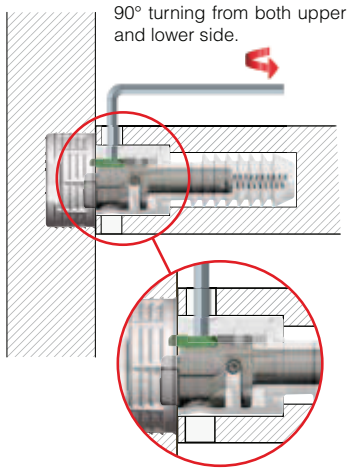
Automatic locking



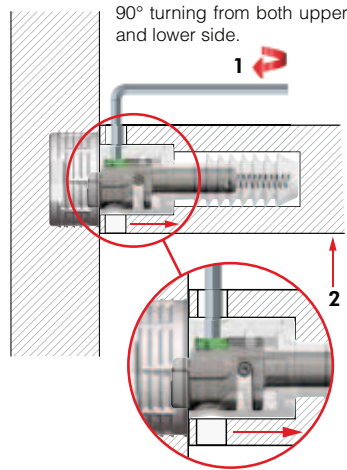
LOCKING DEVICE WHEN SHELVES MOUNTING HINGES FOR FLAP OR DROP DOWN DOORS

Ø 4 mm hole allows the access to the minifix with an exagonal key S 2,5. It can be drilled either on the upper or on the lower side of the shelf, (or even a passing through hole) according to the customer's needs.

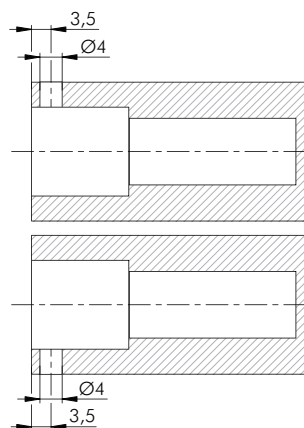
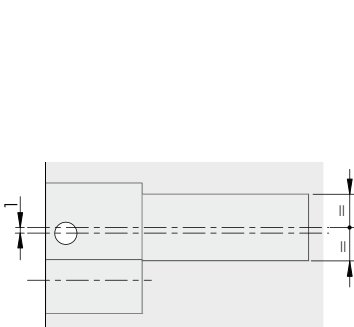
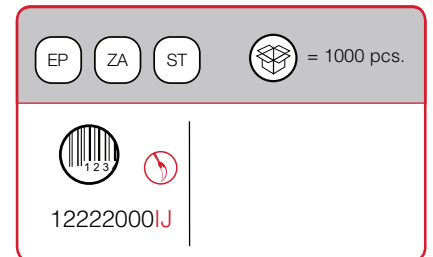
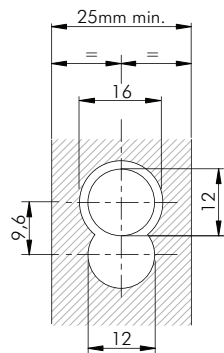
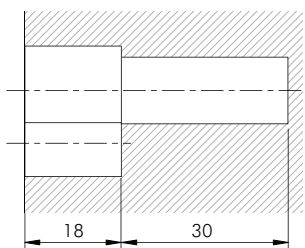
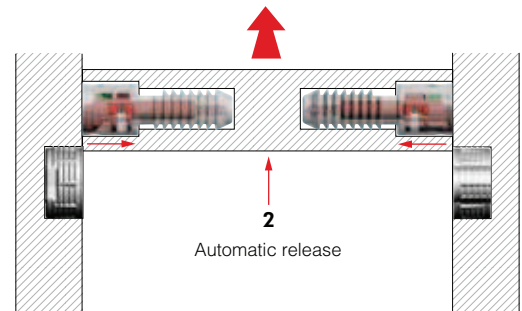
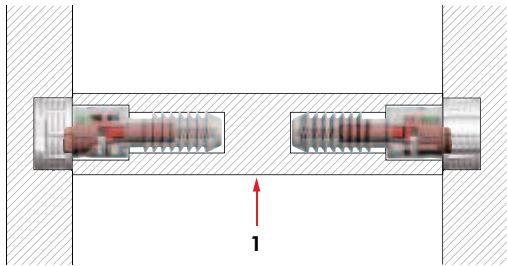
SHELF LOCKING

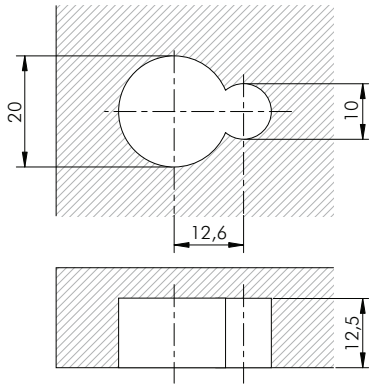


SHELF UNLOCKING



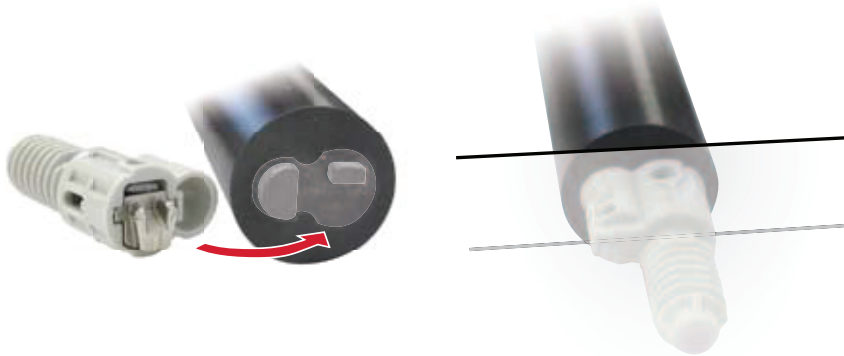
SHELF REMOVAL





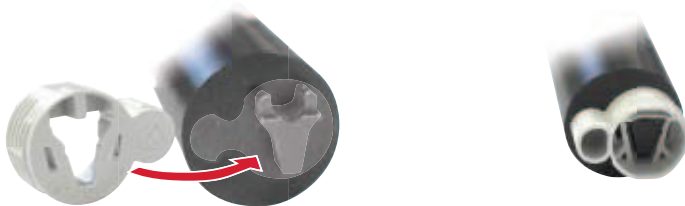
EP	= 1000 pcs.
123	
12226000J	

SECRET MAXI TEMPLATE FOR SHELF SUPPORT



= on request	
123	
122620000	

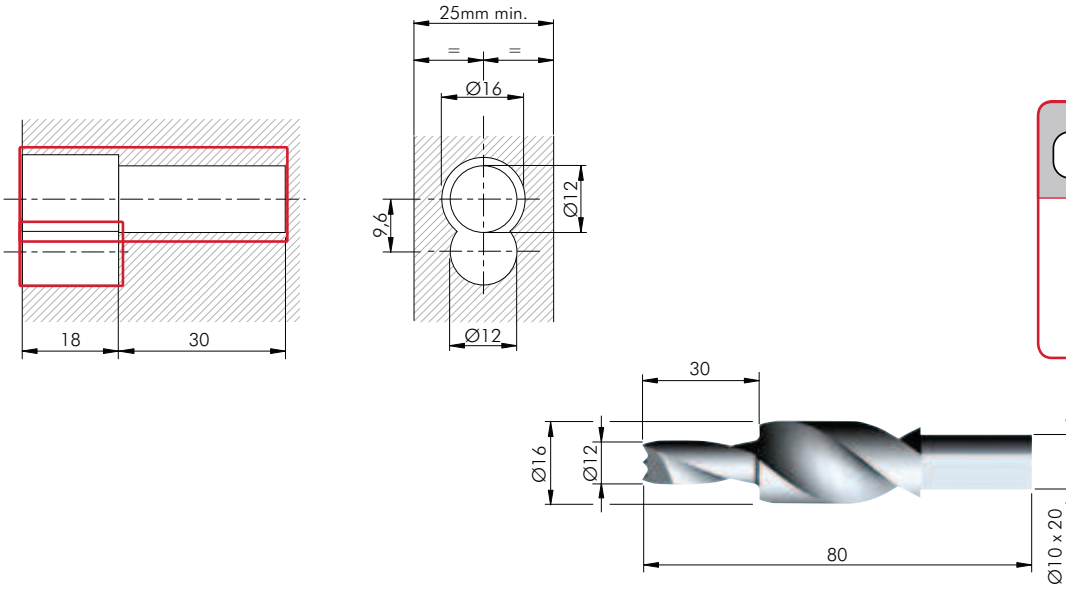
SECRET MAXI TEMPLATE FOR SIDE BUSH



= on request	
123	
122640000	

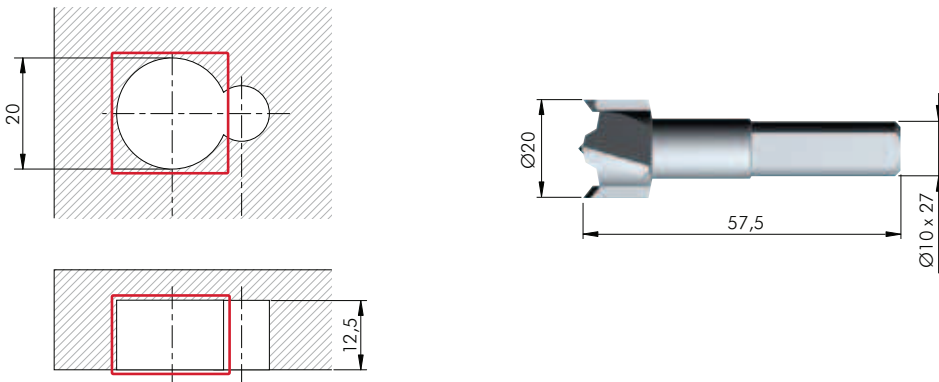


DRILL BIT FOR SECRET MAXI

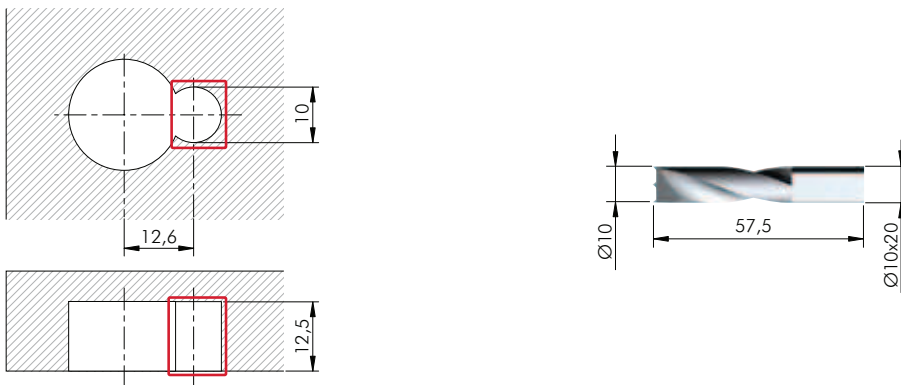


ST	= on request
123	
1220103000	

DRILL BIT FOR SECRET MAXI SIDE BUSH



ST	= on request
123	
1220102000	



ST	= on request
123	
1220101000	