

KALABRONE MAXI is the new shelf support for free-standing shelves created by Italiana Ferramenta Srl. Boasting a captivating design, it perfectly meets the actual market demands. It is suitable for wood shelves from 25 to 50mm thick. Its solid structure guarantees a capacity loading of 25 kg for each support with a shelf 320mm deep.

KALABRONE MAXI comes with 2 adjustments:

- **Vertical:** through the oval hole positioned on the upper bracket
- **Inclination:** through an adjustable screw positioned on the main support

The soft element made of engineering plastic positioned on the upper bracket guarantees a perfect adhesion to the shelf, thus avoiding that the shelf is accidentally removed.

REGISTERED DESIGN

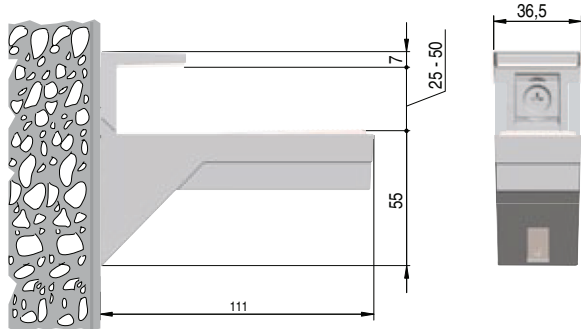
Part. no	Finish	Engineering plastic
16220030JM	aluminium RAL 9006	white
16220030YD	satin-finished nickel-plated	white
16220030KB	bright chrome	white

Other finishes available on request

Box of pcs. 2 with wall hardware not included

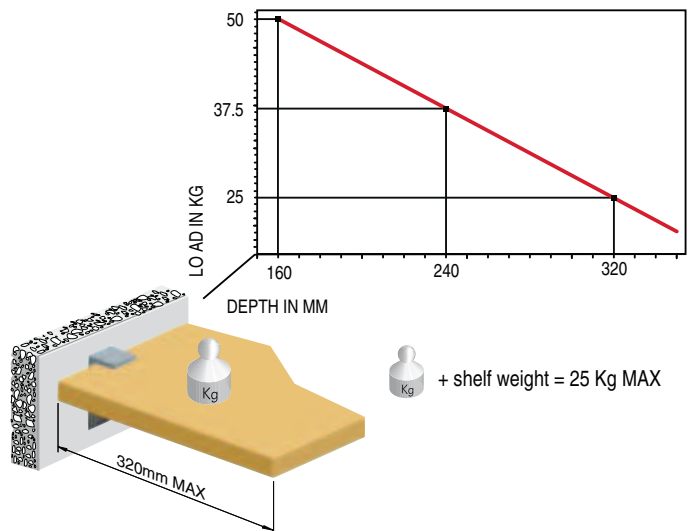


FIXING TO CEMENT WALL WITH RAWLPLUG



- It is the responsibility of the customer:
- to ensure that the wall is of a suitable quality to hold the shelf fixing in place.
 - to use the right hardware fitting as required.

COMBINATION SHELF LOAD AND SHELF DEPTH (The figures refer to 1 shelf support)



INSTALLATION, LOCKING SHELF AND ADJUSTMENTS

