

TRIADE is the concealed mounting bracket for shelves 25 to 40mm thick. It has been conceived to simplify the shelf installation. It is provided with three independent adjustments:

1) VERTICAL

Before installing the shelf, the mounting brackets can be adjusted in height and (vertically) aligned through the slots.

2) HORIZONTAL

While placing the shelf in position, the supporting pins can be slid horizontally.

3) INCLINATION

When the shelf is partially inserted, the shelf angle can be adjusted front to back by turning the supporting pins with a 10mm open-ended wrench.

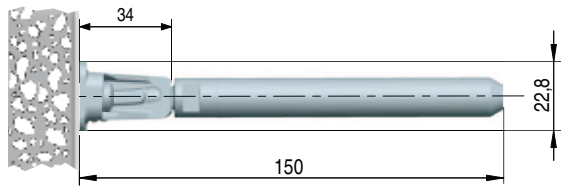
The capacity loading is 15Kg each (shelf weight included) for a shelf max 300mm deep.

Shelf minimum depth: 160mm

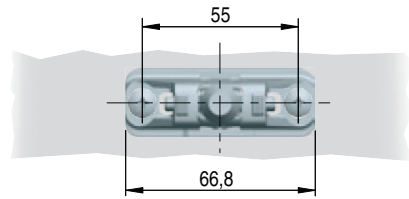
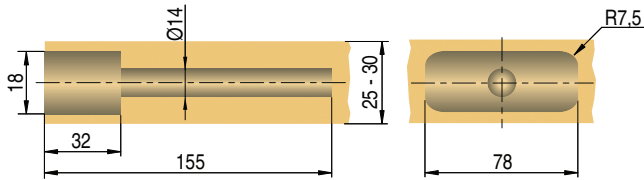
Zinc alloy and steel

PAT. PENDING

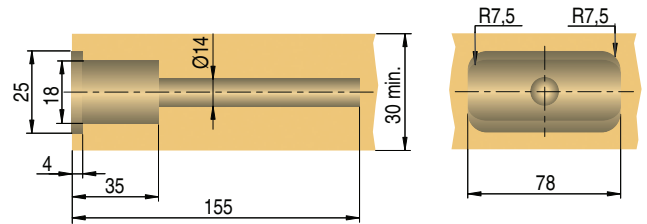
Part. no
1621501000



For shelf 25-30mm thick



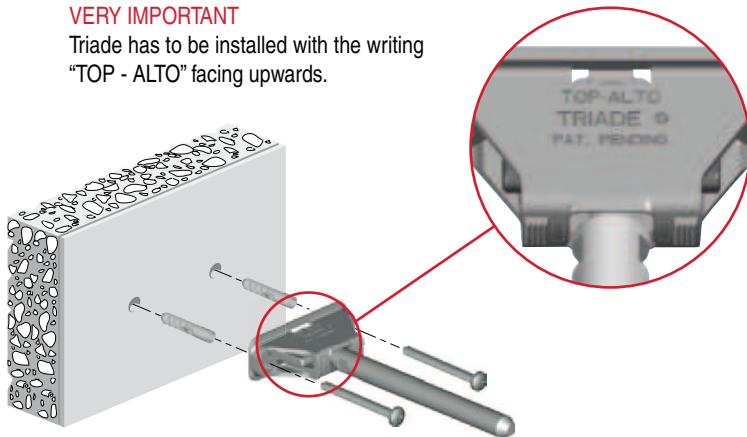
For shelf 30mm thick and above



FIXING TO CEMENT WALL

VERY IMPORTANT

Triade has to be installed with the writing "TOP - ALTO" facing upwards.



Fixing:

- to cement wall with rawplugs Ø 8mm & pan head screws Ø 5x50mm.
- to wood panels with pan head wood screws Ø 5mm.
- to plaster boards with umbrella fittings Ø 8mm & pan head screws M4x46mm.

It is the responsibility of the customer:

- to ensure the wall is of a suitable quality to hold the shelf fixing in place.
- to use the proper hardware fittings according to the construction of the wall.

COMBINATION SHELF LOAD AND SHELF DEPTH (The figures refer to 1 shelf support)

